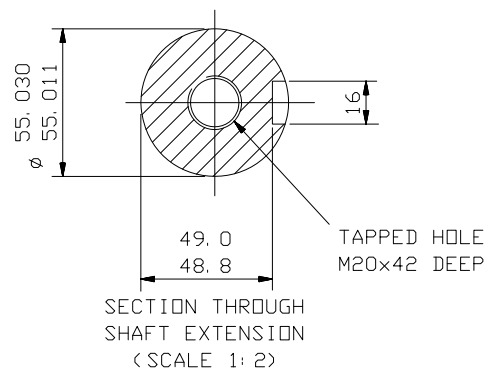


2 LIFTING LUGS
DIAGONALLY OPPOSITE

4 HOLES FOR M16 BOLTS

NOTE: -
TERMINAL BOX CAN BE SIDE MOUNTED
(LEFT OR RIGHT) BY REFITTING FEET
90° IN APPROPRIATE DIRECTION.
CABLE ENTRY CAN BE SUPPLIED IN
ANY ONE OF FOUR POSITIONS AT
90° INTERVALS.



CUSTOMER		
ORDER No.		
SERIAL No.		
FRAME SIZE		
kw	RPM.	
Hz	PHASE 3	
VOLTS	POLES	
BRGS.	DE.	NDE.
MOTOR NETT. WT.		Kg.
INSULATION CLASS		
TEMPERATURE RISE °C		
DESIGN AMBIENT TEMPERATURE °C		
HEATER WATTS & VOLTS		VOLTS

REMARKS

ALL DIMENSIONS IN MILLIMETRES

FIRST ANGLE
PROJECTION

**BROOK
CROMPTON**

OUTLINE DIMENSIONS OF STANDARD FOOT MOUNTED METRIC A. C. MOTOR
TOTALLY ENCLOSED FAN VENTILATED.
FRAME SIZE :- WP-DF225S (2 POLE)

DRAWN		
CHECKED		
APPROVED		
REVISION:		DATE