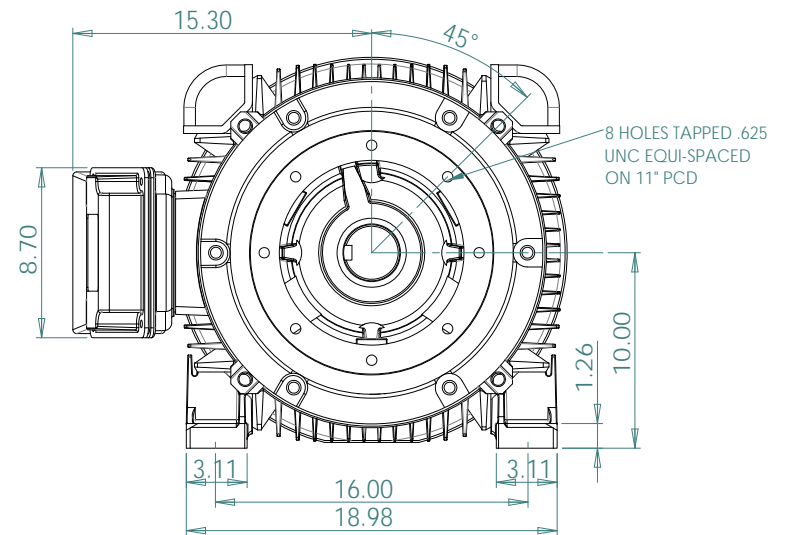


SECTION A-A

SCALE 1 : 2



BROOK CROMPTON	
WP-DF405TC	A3
SHEET	www.brookcrompton.com