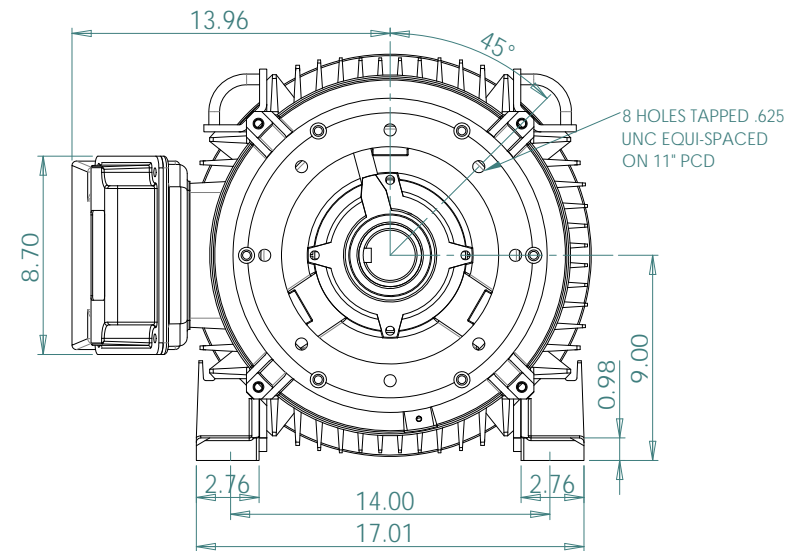


SECTION A-A

SCALE 1:2



<b>BROOK CROMPTON</b>	
WP-DF364TC	A3
SHEET	www.brookcromptonna.com