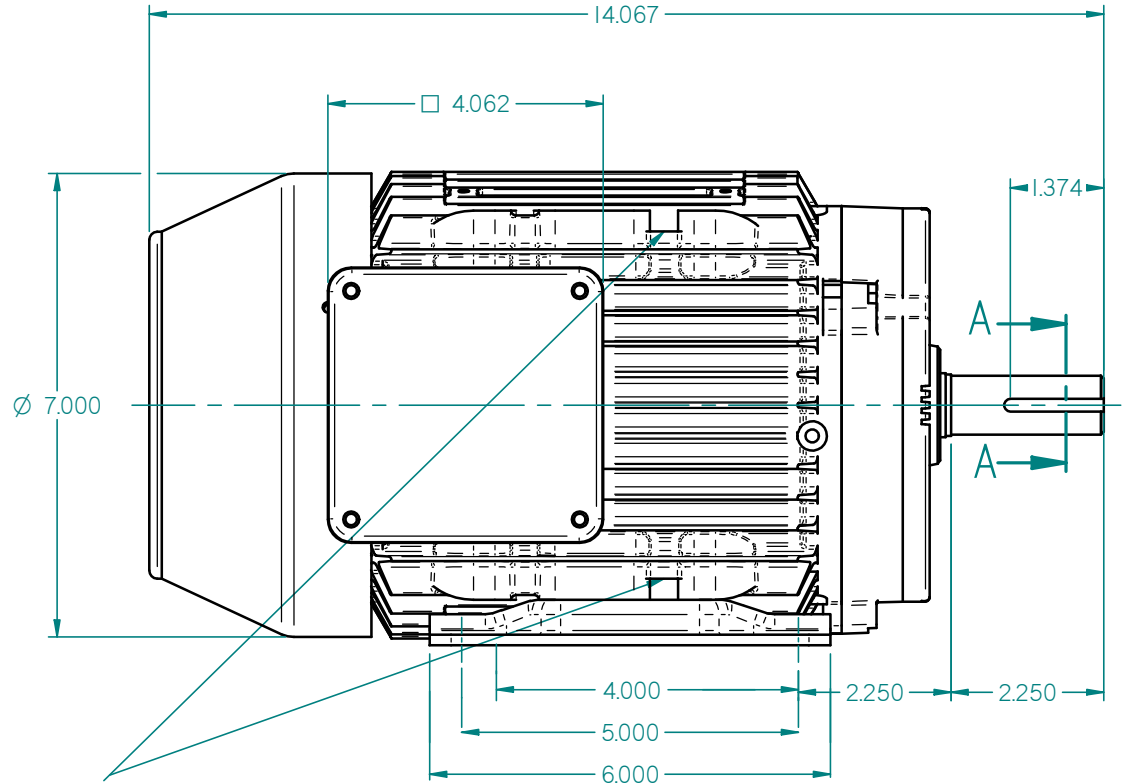
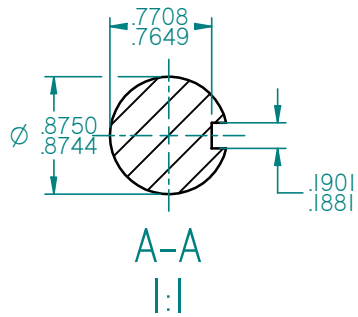


CABLE ENTRIES 1X0.75" NPT



EXTERNAL EARTH POSITION



STANDARD TERMINAL BOX POSITION IS 9 O'CLOCK AS SHOWN.  
 CONDUIT ENTRIES:- TERMINAL BOX CAN BE ROTATED AT 90° INTERVALS  
 (CONDUIT ENTRY POSITION SHOWN FOR ILLUSTRATION ONLY)

ALL DIMENSIONS IN INCHES

FIRST ANGLE PROJECTION

**BROOK CROMPTON**

SHEET SIZE  
A3

TITLE: OUTLINE DIMENSION DRAWING W ALUMINIUM TOTALLY ENCLOSED FAN COOLED WP-DA143/5T- FRAME FOOT MOUNTED MOTOR

	NAME	DATE
DRAWN	DL	23-11-12
CHECKED		
SCALE	1 : 2	

DRG. No.	
DRG. REF.	
REVISION:	DATE: