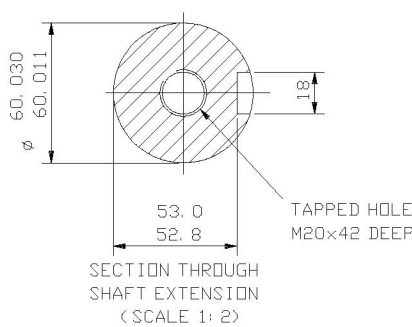


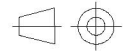
CUSTOMER		
ORDER No.		
SERIAL No.		
FRAME SIZE		
kW	RPM.	
Hz	PHASE 3	
VOLTS	POLES	
BRGS.	DE.	NDE.
MOTOR NETT. WT.	Kg.	
INSULATION CLASS		
TEMPERATURE RISE	° C	
DESIGN AMBIENT TEMPERATURE	° C	
HEATER WATTS & VOLTS		
	WATTS,	VOLTS

REMARKS



NOTE: -
 TERMINAL BOX CAN BE SIDE MOUNTED (LEFT OR RIGHT) BY REFITTING FEET 90° IN APPROPRIATE DIRECTION.
 CABLE ENTRY CAN BE SUPPLIED IN ANY ONE OF FOUR POSITIONS AT 90° INTERVALS.

ALL DIMENSIONS IN MILLIMETRES



FIRST ANGLE PROJECTION

BROOK CROMPTON

NOTE 1
 2.5 ENDPLOY WILL BE PROVIDED FOR ENDTHRUST PROTECTION WHEN CUSTOMERS NOTIFY US OF THEIR INTENTION TO USE RIGID COUPLINGS AND DRIVEN MACHINES WITHOUT ENDPLOY.

OUTLINE DIMENSIONS OF STD. FOOT/FLANGE MOUNTED METRIC A. C. MOTOR
 TOTALLY ENCLOSED FAN VENTILATED.
 FITTED WITH TOP MOUNTED TERMINAL BOX
 FRAME SIZE : - W-DF250M-H (2 POLE)

SCALE	1:7	DATE
DRAWN		
CHECKED		
APPROVED		

REVISION:		DATE
-----------	--	------