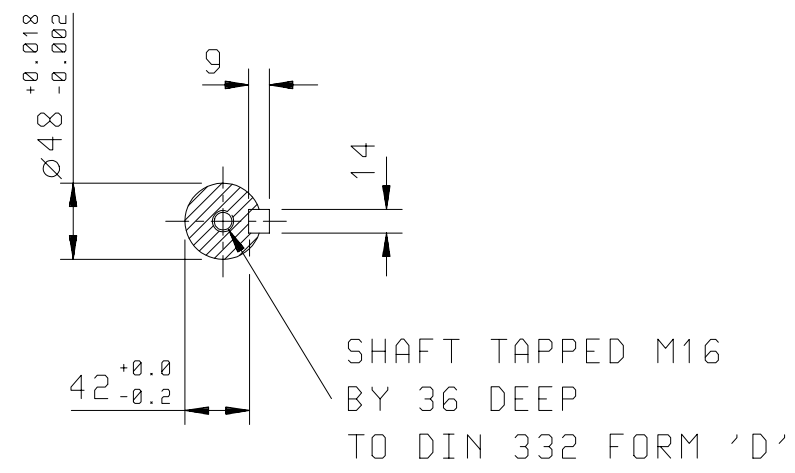


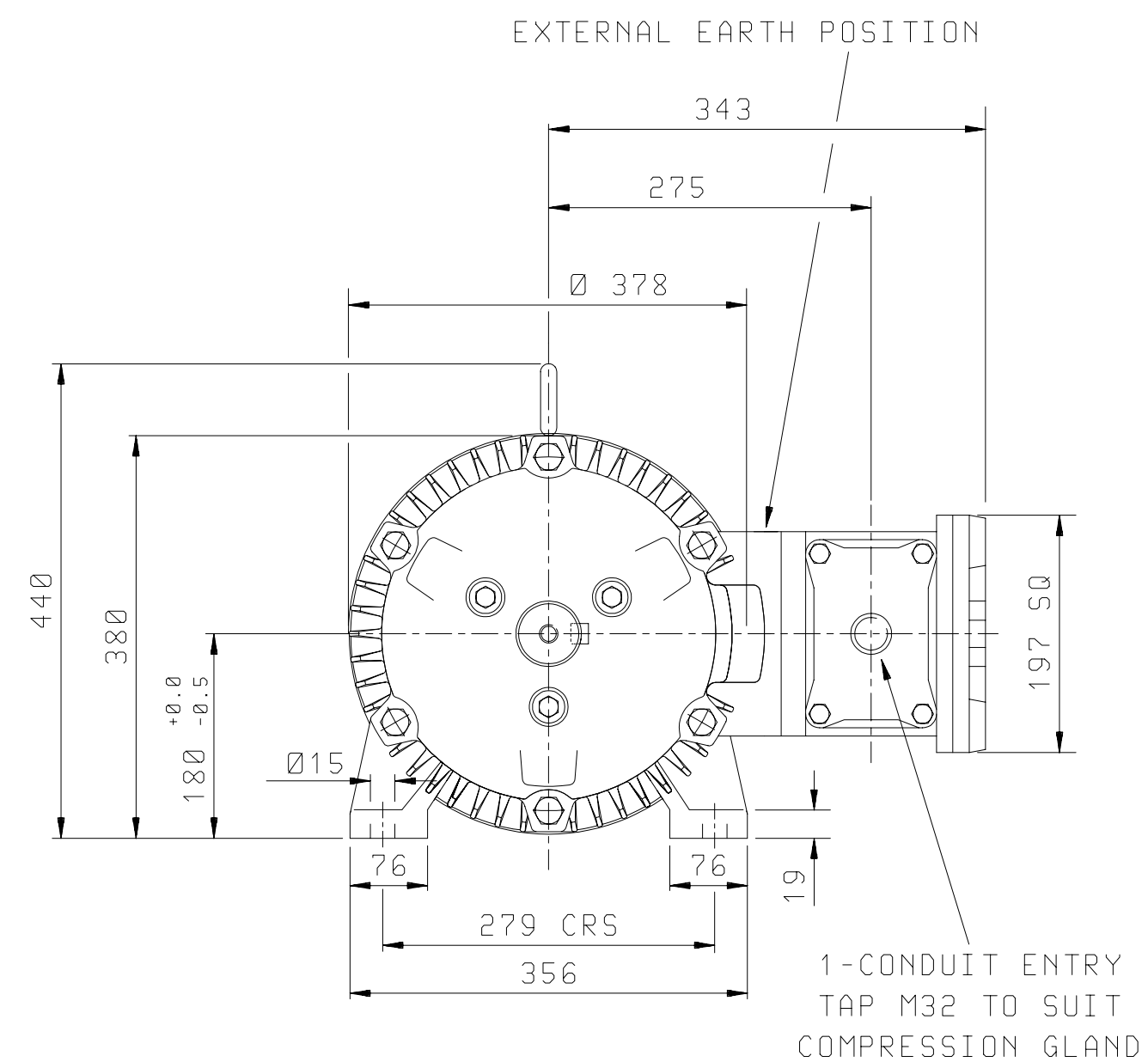
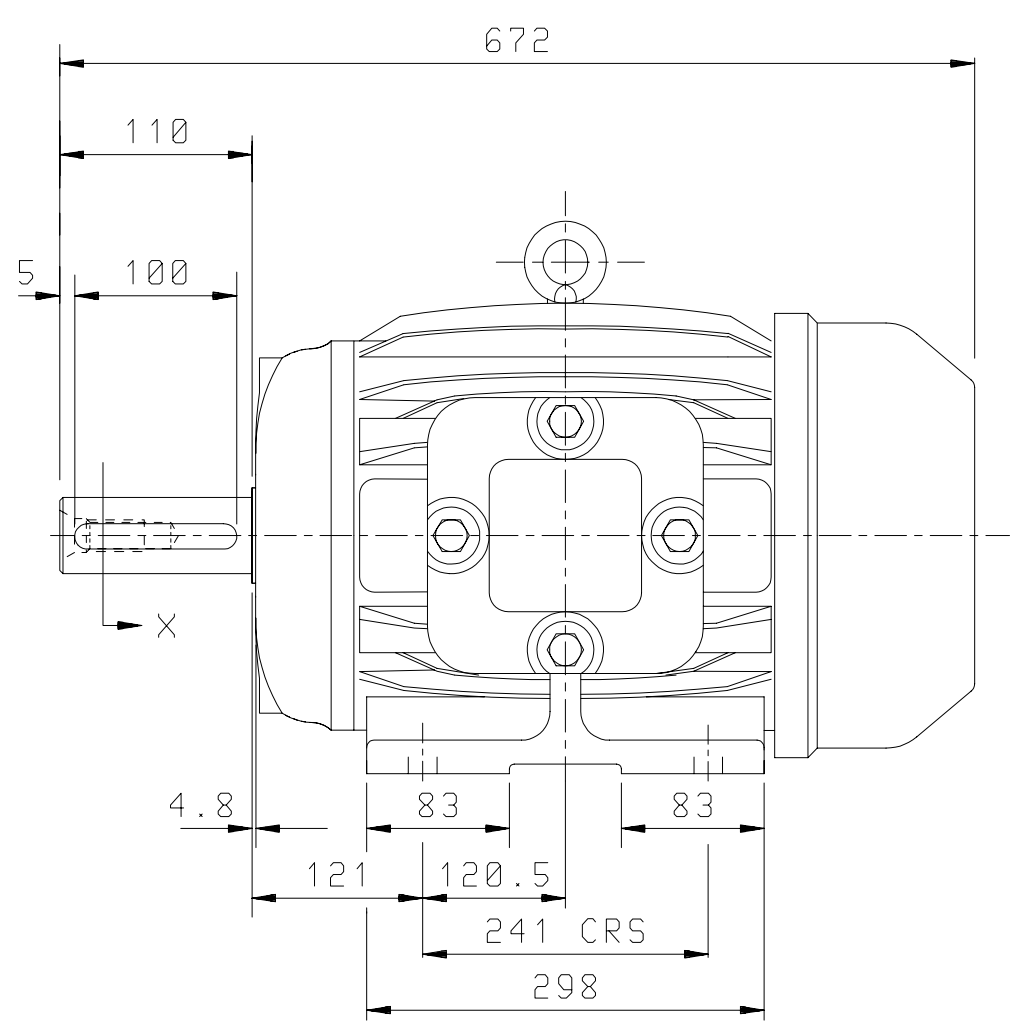
DRG. No. K18GF001/0
 DRG. REF.

CABLE ENTRY POSITION SHOWN IS FOR ILLUSTRATION ONLY, TERMINAL BOX CAN BE ROTATED THROUGH 90° INTERVALS.

CUSTOMER		
ORDER No.		
PART No.		
OUR ORDER No.		
FRAME SIZE		
KW.	RPM.	
Hz	PHASE	
VOLTS	POLES	
BRGS.	DE.	NDE.
MOTOR NETT WT.	Kg.	
SPECIAL REMARKS		



SECTION ON 'X'



ALL DIMENSIONS IN MILLIMETRES



BROOK CROMPTON

Huddersfield, HD1 3LJ
 ENGLAND

SHEET SIZE A3	TITLE	OUTLINE DIMENSION DRAWING 'W' FLAMEPROOF TOTALLY ENCLOSED FAN COOLED EExd E180M FRAME FOOT MOUNTED MOTOR GROUPS IIA & IIB	NAME	DATE	
			DRAWN	VLS	27-03-03
			CHECKED	RR	27-03-03
			SCALE	N.T.S	

DRG. No.	K18GF001/0		
DRG. REF.			
REVISION:		DATE	