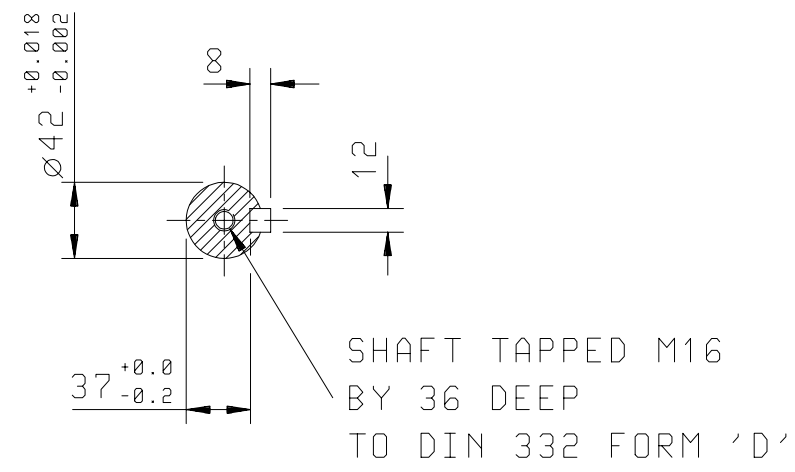


DRG. No. K16GF001/0  
 DRG. REF.

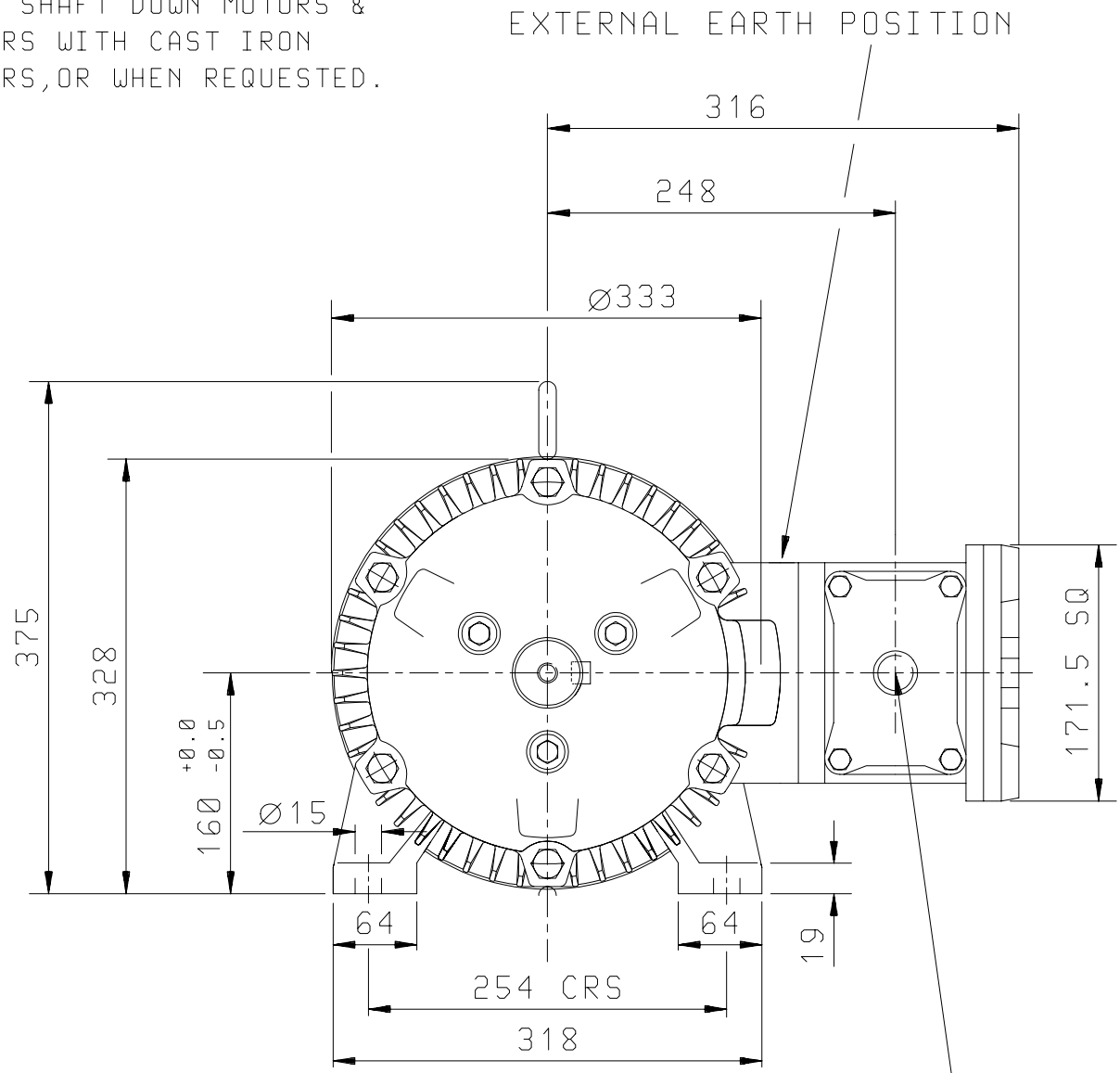
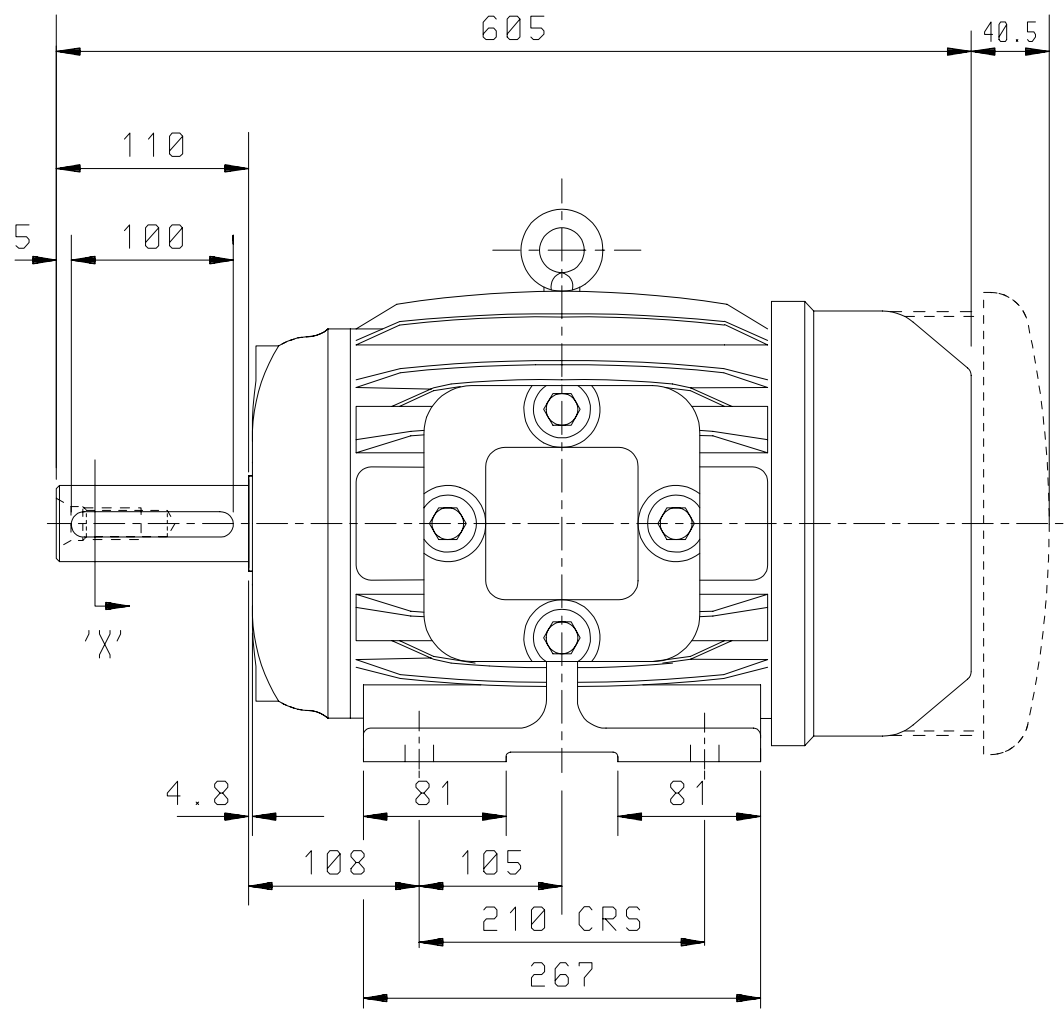
CABLE ENTRY POSITION SHOWN IS FOR ILLUSTRATION ONLY, TERMINAL BOX CAN BE ROTATED THROUGH 90° INTERVALS.

CUSTOMER		
ORDER No.		
PART No.		
OUR ORDER No.		
FRAME SIZE		
KW.	RPM.	
Hz	PHASE	
VOLTS	POLES	
BRGS.	DE.	NDE.
MOTOR NETT WT.	Kg.	
SPECIAL REMARKS		



SECTION ON 'X'

DRIP-PROOF COWL FITTED ON ALL VERTICAL SHAFT DOWN MOTORS & ALL MOTORS WITH CAST IRON FAN COVERS, OR WHEN REQUESTED.



1 - CONDUIT ENTRY TAPPED M32 TO SUIT COMPRESSION GLAND

ALL DIMENSIONS IN MILLIMETRES



**BROOK CROMPTON**

Huddersfield, HD1 3LJ ENGLAND

SHEET SIZE <b>A3</b>	TITLE	OUTLINE DIMENSION DRAWING 'W' FLAMEPROOF TOTALLY ENCLOSED FAN COOLED EExd 160M FRAME FOOT MOUNTED MOTOR GROUPS IIA & IIB	NAME	DATE
			Uls	26-03-03
			RR	26-03-03
			N.T.S	

DRG. No.	K16GF001/0		
DRG. REF.			
REVISION:	Uls	DATE	03-09-02