

DRG. No. K12GD001/0

DRG. REF.

CUSTOMER

ORDER No.

PART No.

OUR ORDER No.

FRAME SIZE

KW.

RPM.

Hz

PHASE

VOLTS

POLES

BRGS.

DE.

NDE.

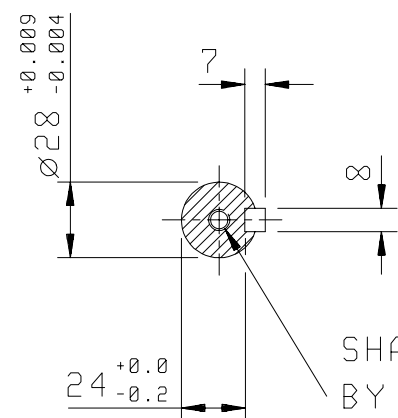
MOTOR NETT WT.

Kg.

SPECIAL REMARKS

CABLE ENTRY POSITION SHOWN IS FOR ILLUSTRATION ONLY, TERMINAL BOX CAN BE ROTATED THROUGH 90° INTERVALS.

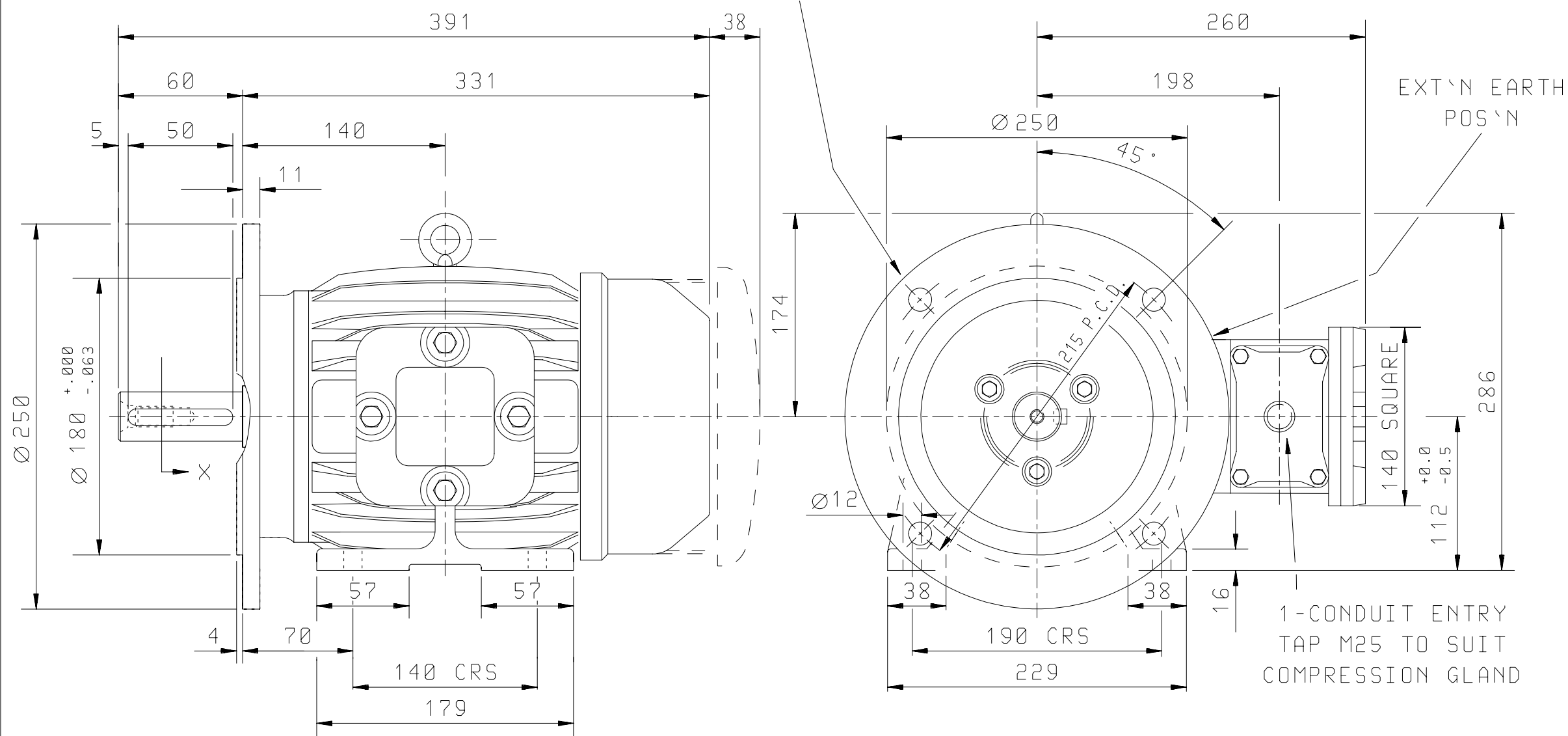
DRIP-PROOF COWL FITTED ON ALL VERTICAL SHAFT DOWN MOTORS OR WHEN REQUESTED



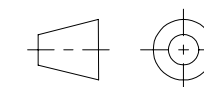
SHAFT TAPPED M10 BY 22 DEEP TO DIN 332 FORM 'D'

SECTION ON 'X'

4-HOLES DRILLED Ø15 EQUALLY SPACED AS SHOWN.



ALL DIMENSIONS IN MILLIMETRES.



FIRST ANGLE PROJECTION

# BROOK CROMPTON

Huddersfield, HD1 3LJ  
ENGLAND

SHEET SIZE  
**A3**

TITLE  
OUTLINE DIMENSION DRAWING 'W' FLAMEPROOF TOTALLY ENCLOSED FAN COOLED  
EExd 112M FRAME FLANGE WITH FEET MOUNTED MOTOR. GROUPS IIA & IIB

	NAME	DATE
DRAWN	V.L.S	26-03-03
CHECKED	R.R	26-03-03
SCALE	N.T.S	

DRG. No.	K12GD001/0		
DRG. REF.			
REVISION:		DATE	