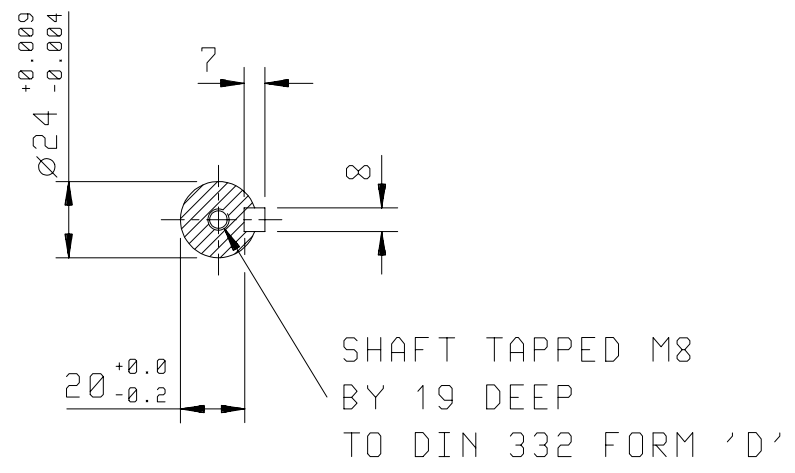


DRG. No. K90GC002/0
 DRG. REF.

CABLE ENTRY POSITION SHOWN IS FOR ILLUSTRATION ONLY, TERMINAL BOX CAN BE ROTATED THROUGH 90° INTERVALS.

NOTE!! ON E90S/L THE TERMINAL BOX POSITION IS NOT AS SHOWN BUT IS OFFSET 12.7mm ABOVE THE Q OF THE MOTOR.

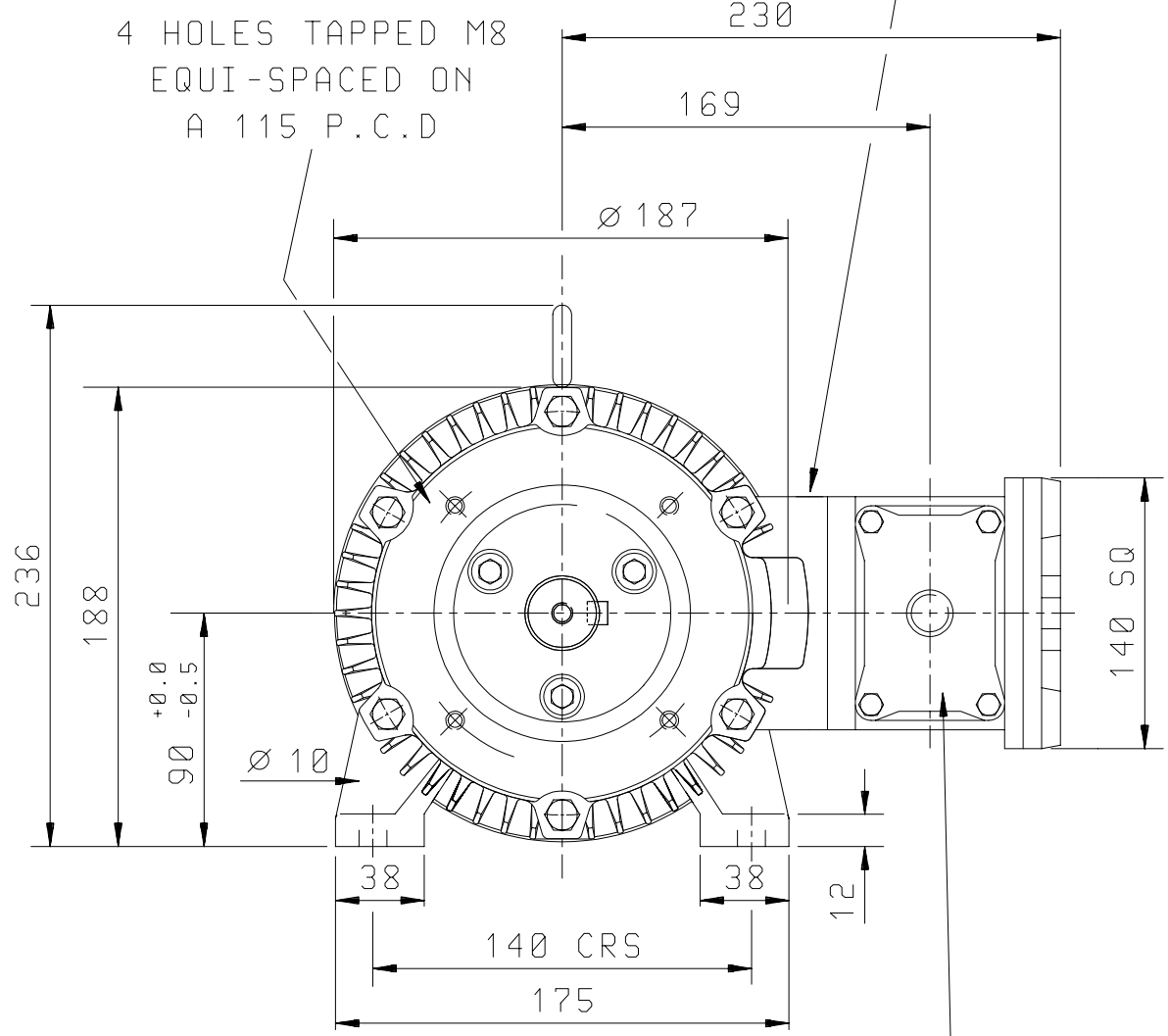
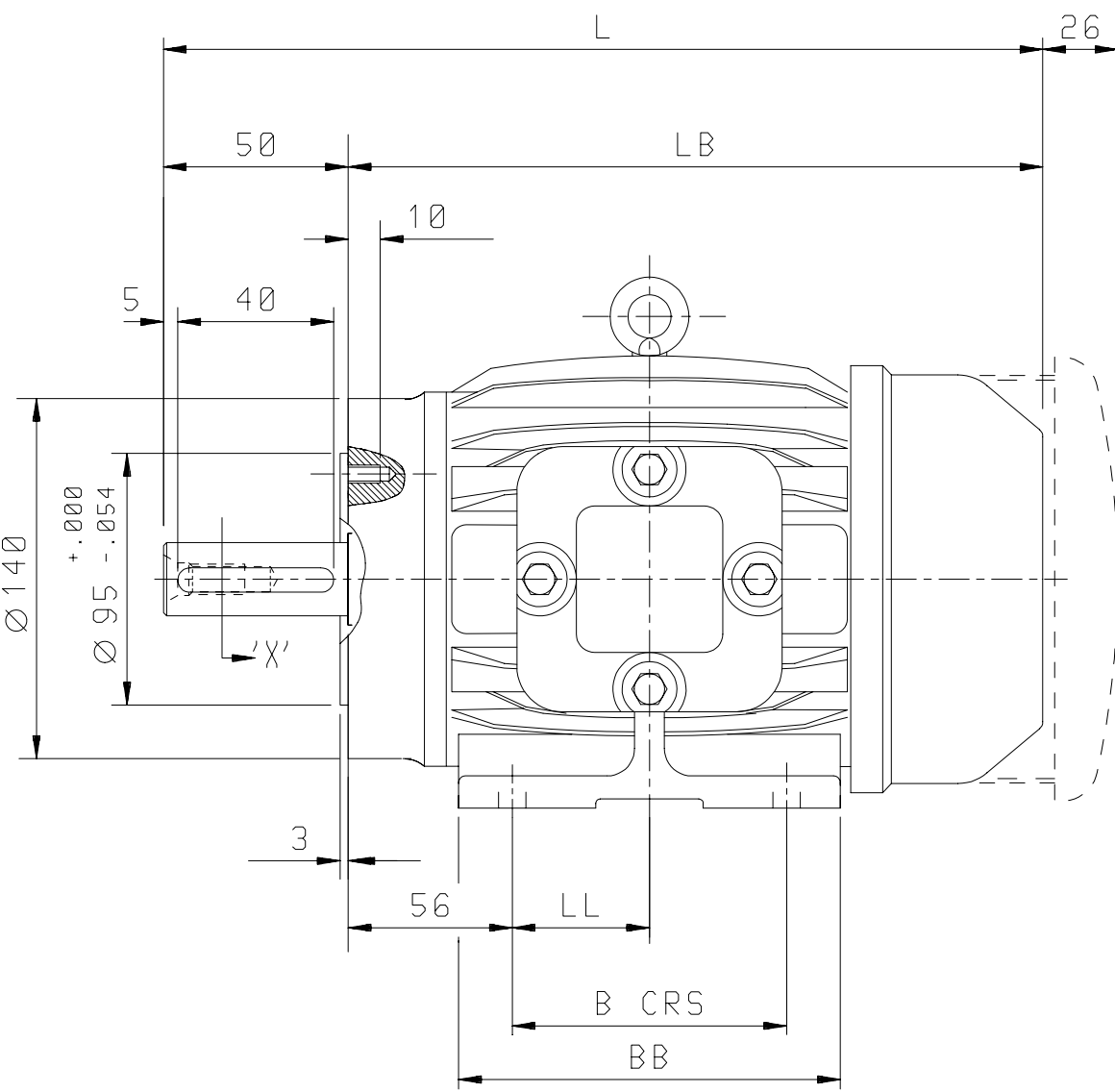
CUSTOMER		
ORDER No.		
PART No.		
OUR ORDER No.		
FRAME SIZE		
KW.	RPM.	
Hz	PHASE	
VOLTS	POLES	
BRGS.	DE.	NDE.
MOTOR NETT WT.		Kg.
SPECIAL REMARKS		



	L	LB	LL	B	BB
E90S	308	258	50	100	127
E90L	333	283	62.5	125	152

SECTION ON 'X'

EXTERNAL EARTH POSITION



1-CONDUIT ENTRY
 TAP M20 TO SUIT
 COMPRESSION GLAND

ALL DIMENSIONS IN MILLIMETRES.



BROOK CROMPTON

Small Industrial Motors
 Huddersfield, W. Yorkshire, HD1 3LJ

SHEET SIZE A3	TITLE	OUTLINE DIMENSION DRAWING 'W' FLAMEPROOF TOTALLY ENCLOSED FAN COOLED EExd 90S/L FRAME FOOT & C FACE MOUNTED MOTOR GROUPS IIA & IIB
	NAME	U.L.S.
	DATE	15-07-03
	SCALE	N.T.S.

DRG. No.	K90GC002/0	
DRG. REF.		
REVISION:		DATE