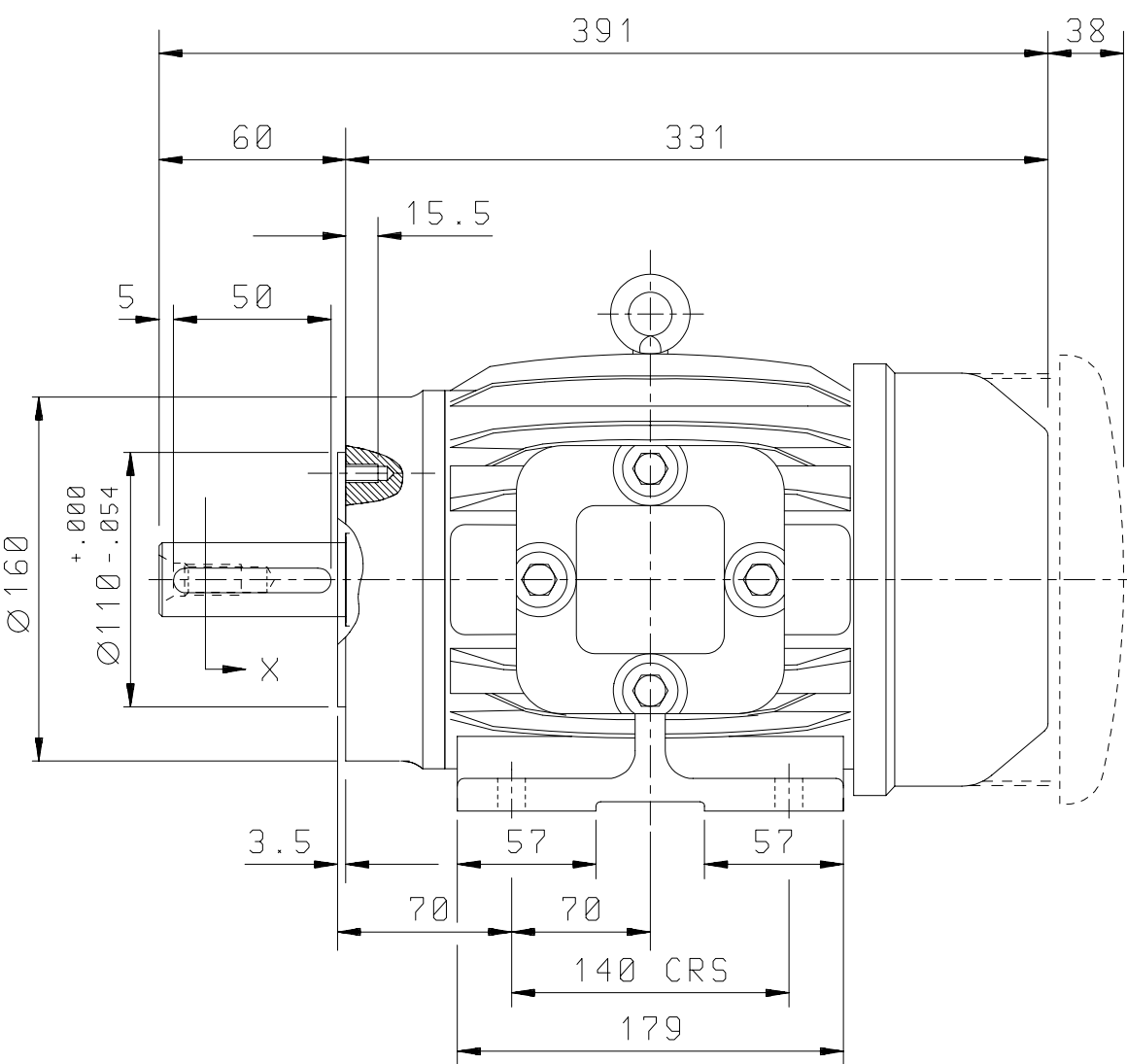


CABLE ENTRY POSITION SHOWN IS FOR ILLUSTRATION ONLY, TERMINAL BOX CAN BE ROTATED THROUGH 90° INTERVALS.

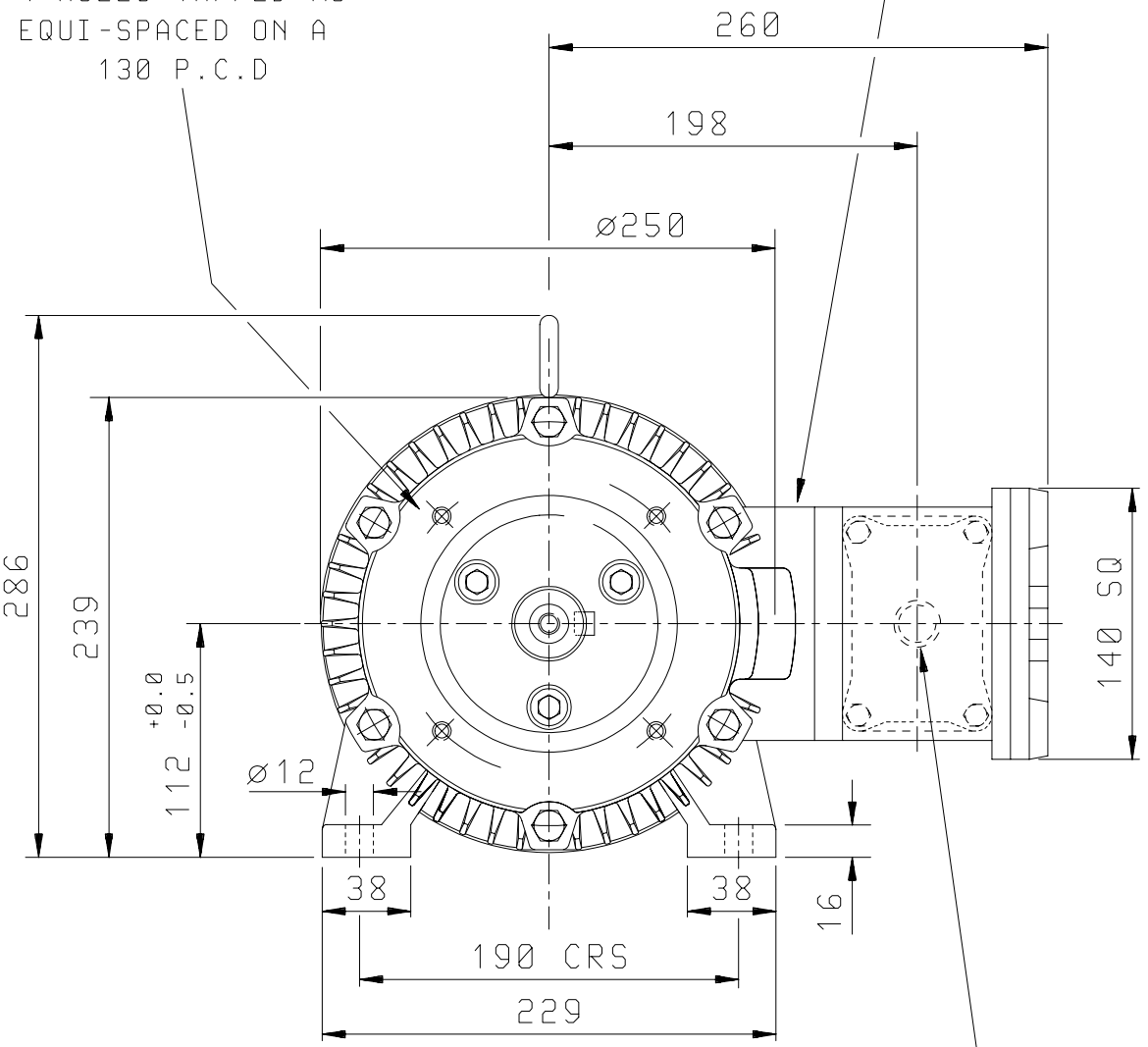
DRIP-PROOF COWL FITTED ON ALL VERTICAL SHAFT DOWN MOTORS & ALL MOTORS WITH CAST IRON FAN COVERS, OR WHEN REQUESTED.

SECTION ON 'X'

EXTERNAL EARTH POSITION



4 HOLES TAPPED M8 EQUI-SPACED ON A 130 P.C.D



1 - CONDUIT ENTRY TAPPED CM25 TO SUIT COMPRESSION GLAND

ALL DIMENSIONS IN MILLIMETRES



BROOK CROMPTON

Huddersfield, HD1 3LJ ENGLAND

SHEET SIZE A3

TITLE
 OUTLINE DIMENSION DRAWING 'W' FLAMEPROOF TOTALLY ENCLOSED FAN COOLED EExd 112M FRAME FOOT & FACE MOUNTED MOTOR. GROUPS IIA & IIB

	NAME	DATE
DRAWN	ULS	10/07/03
CHECKED	DH	10/07/03
SCALE	N.T.S	

DRG. No.	K12GC001/0		
DRG. REF.			
REVISION:		DATE	