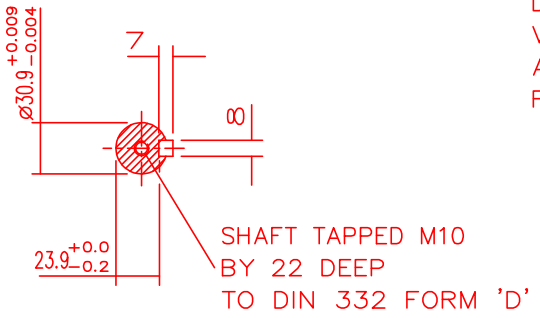


DRG. No. K10GF001/0
 DRG. REF.

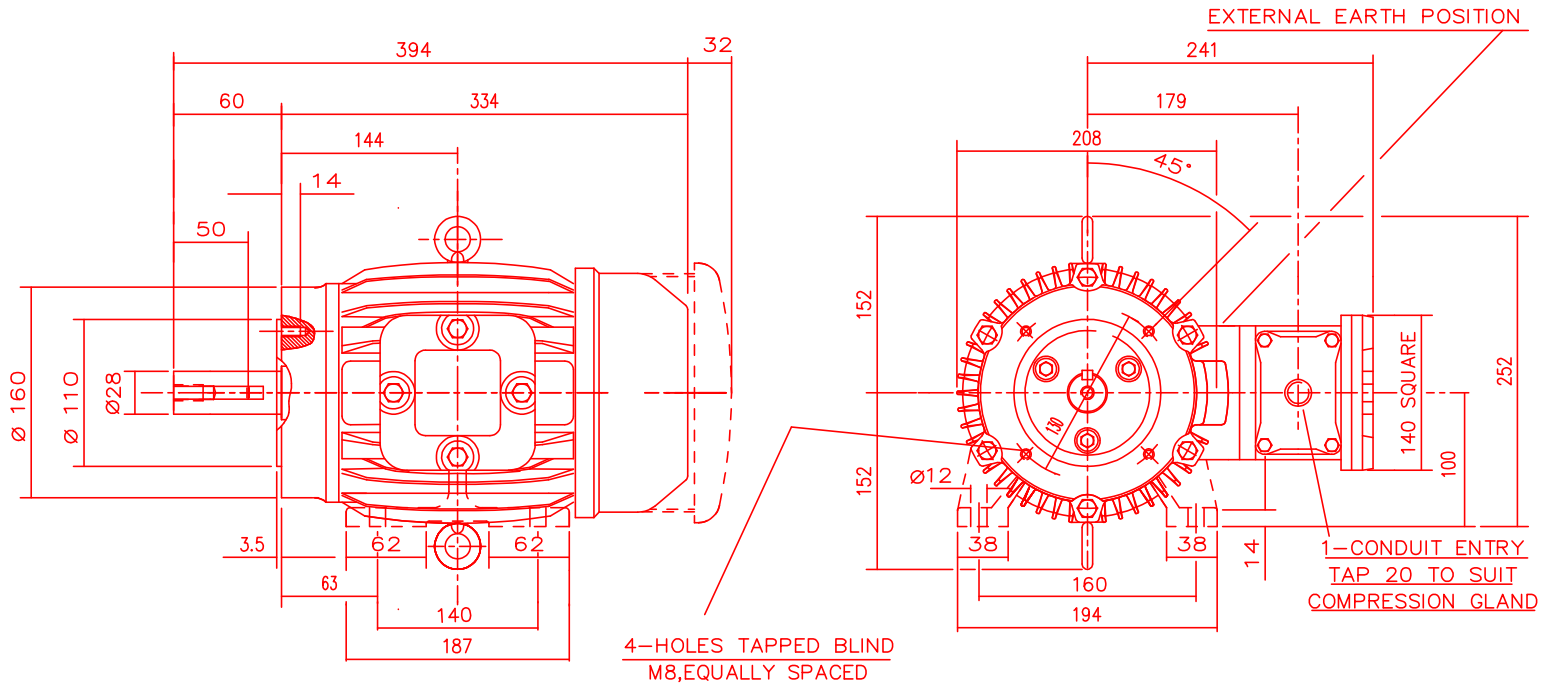
CABLE ENTRY POSITION SHOWN IS FOR ILLUSTRATION ONLY, TERMINAL BOX CAN BE ROTATED THROUGH 90° INTERVALS.

CUSTOMER		
ORDER No.		
PART No.		
OUR ORDER No.		
FRAME SIZE		
KW.	RPM.	
Hz	PHASE	
VOLTS	POLES	
BRGS.	DE.	NDE.
MOTOR NETT WT.	Kg.	
SPECIAL REMARKS		



DRIP-PROOF COWL FITTED ON ALL VERTICAL SHAFT DOWN MOTORS & ALL MOTORS WITH CAST IRON FAN COVERS, OR WHEN REQUESTED.

SECTION ON 'X'



ALL DIMENSIONS IN MILLIMETRES.



BROOK CROMPTON
 Huddersfield, HD1 3LJ
 ENGLAND

SHEET SIZE A3	TITLE OUTLINE DIMENSION DRAWING 'W' FLAMEPROOF TOTALLY ENCLOSED FAN COOLED EExd 100L FRAME C FACE MOUNTED MOTOR GROUPS IIA & IIB	NAME	DATE	DRG. No. K10GF001/0 DRG. REF.
		DRAWN	VLS 10-07-03	
		CHECKED	DH 10-07-03	
		SCALE	N.T.S	