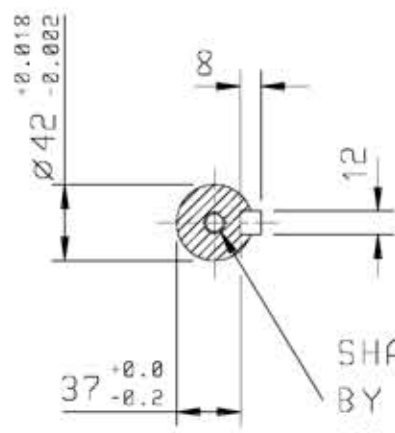


DRG. No.
 DRG. REF.

CUSTOMER		
ORDER No.		
PART No.		
OUR ORDER No.		
FRAME SIZE		
KW.	RPM.	
Hz	PHASE	
VOLTS	POLES	
BRGS.	DE.	NDE.
MOTDR NETT WT.	Kg.	
SPECIAL REMARKS		

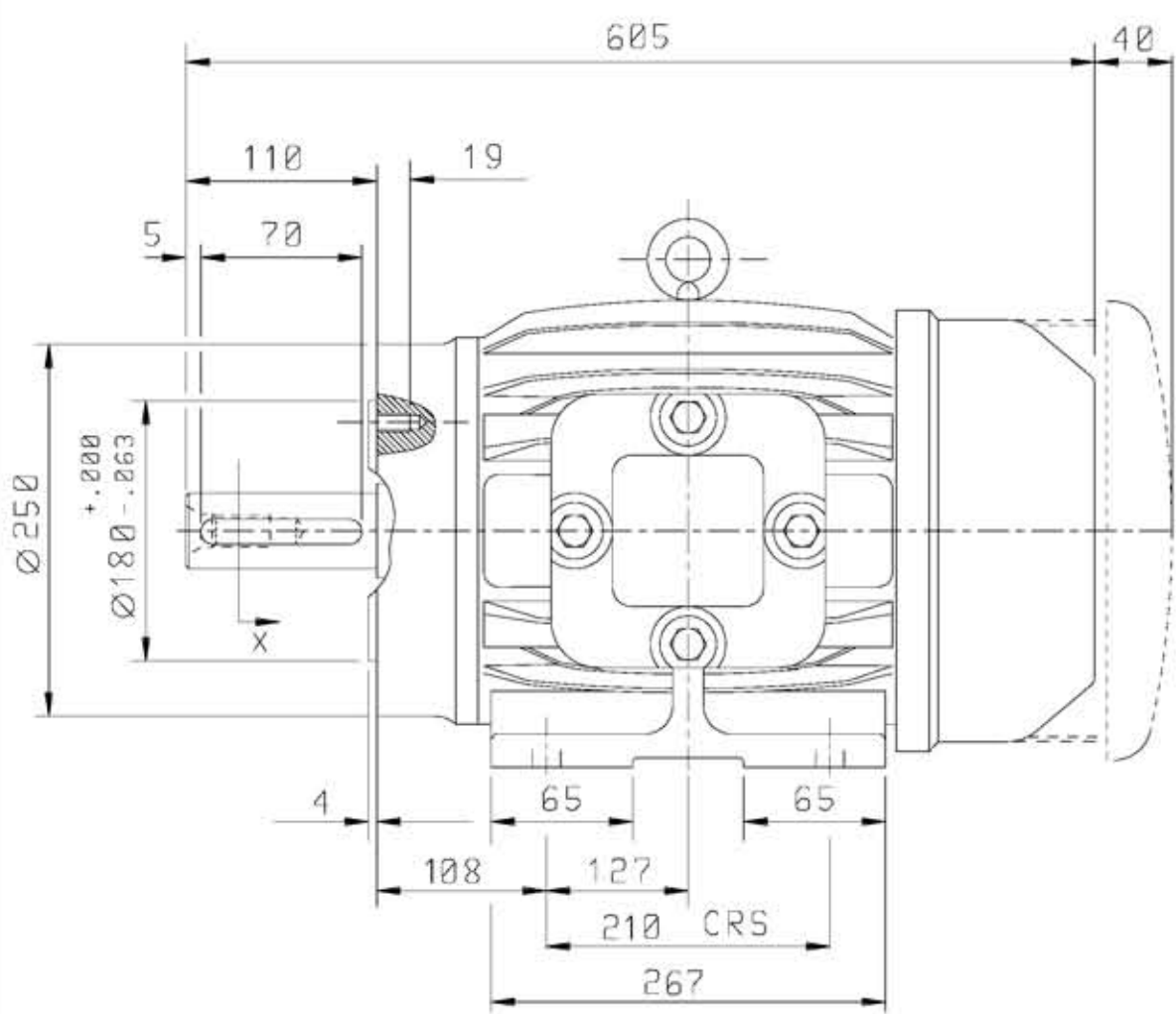


SHAFT TAPPED M12
 BY 28 DEEP
 TO DIN 332 FORM 'D'

CABLE ENTRY POSITION SHOWN IS FOR
 ILLUSTRATION ONLY, TERMINAL BOX CAN
 BE ROTATED THROUGH 90° INTERVALS.

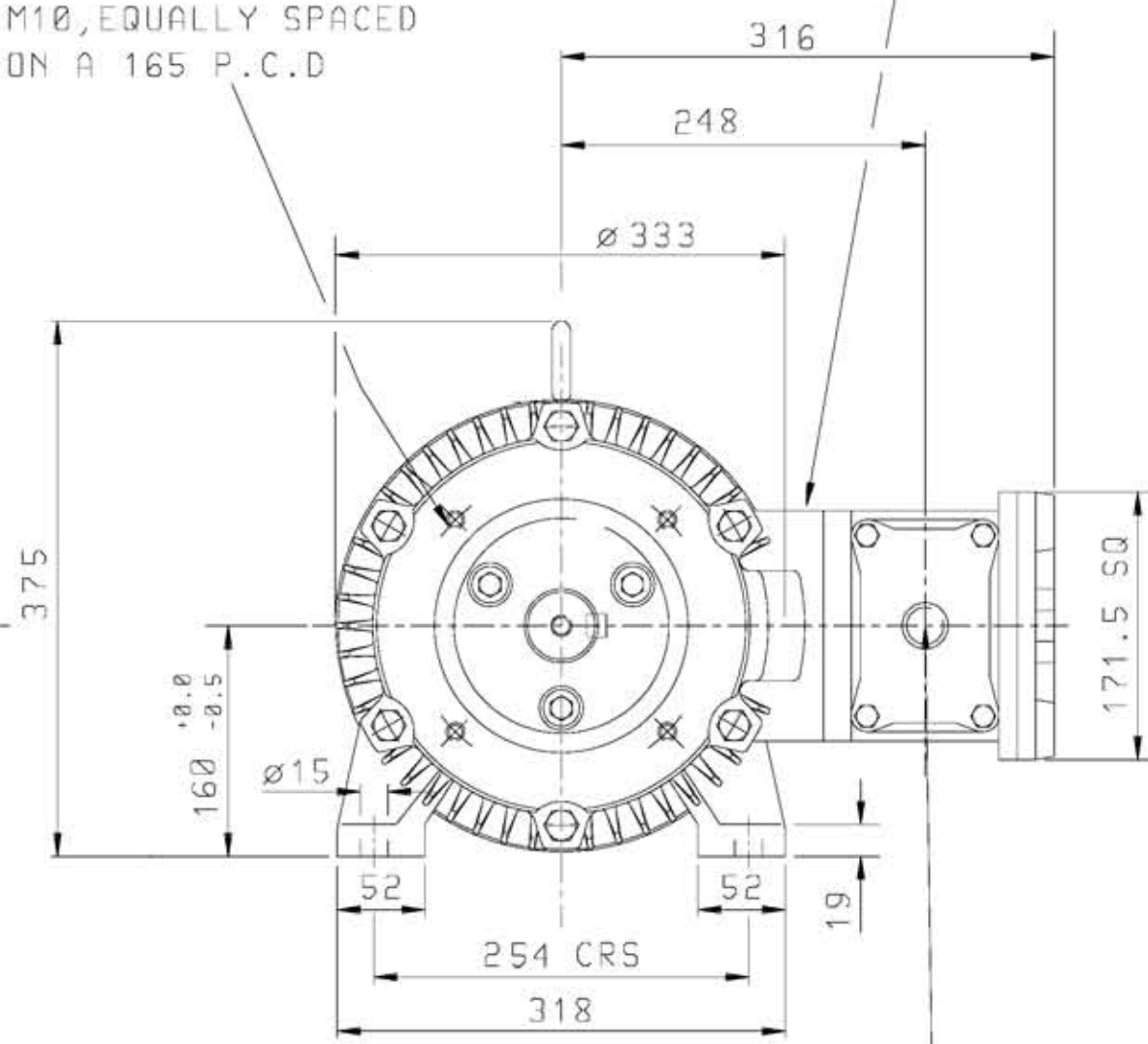
DRIP-PROOF COWL FITTED ON ALL
 VERTICAL SHAFT DOWN MOTORS &
 ALL MOTORS WITH CAST IRON
 FAN COVERS, OR WHEN REQUESTED.

SECTION ON 'X'



4-HOLES TAPPED BLIND
 M10, EQUALLY SPACED
 ON A 165 P.C.D

EXTERNAL EARTH POSITION



1 - CONDUIT ENTRY
 TAPPED M25 TO SUIT
 COMPRESSION GLAND

ALL DIMENSIONS IN MILLIMETRES



**BROOK
 CROMPTON**

Huddersfield, HD1 3LJ
 ENGLAND

SHEET SIZE	TITLE
A3	OUTLINE DIMENSION DRAWING 'W' FLAMEPROOF TOTALLY ENCLOSED FAN COOLED EEXD 160M FRAME FOOT & C FACE MOUNTED MOTOR GROUPS IIA & IIB

	NAME	DATE
DRAWN	ULS	26-11-03
CHECKED	DH	26-11-03
SCALE	N.T.S	

DRG. No.	
DRG. REF.	
REVISION:	DATE