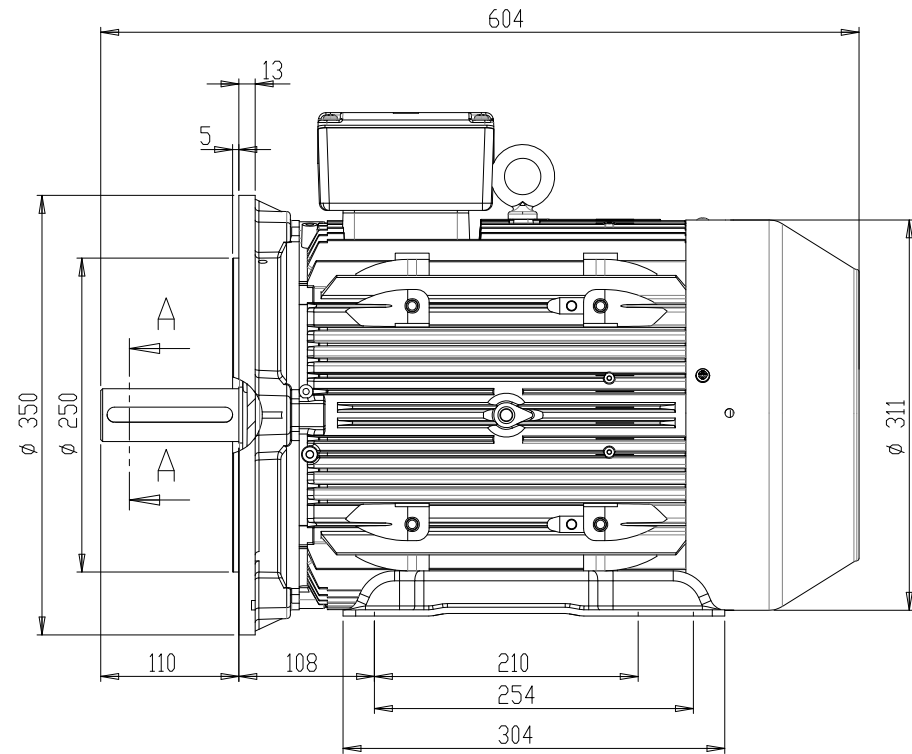


SECTION A-A  
SCALE 1 : 2



W PREMIUM ALUMINUM 160M/L B35  
TOTALLY ENCLOSED FAN COOLED

<b>BROOK CROMPTON</b>	
WP-DA160M/L B35	A3
<a href="http://www.brookcrompton.com">www.brookcrompton.com</a>	