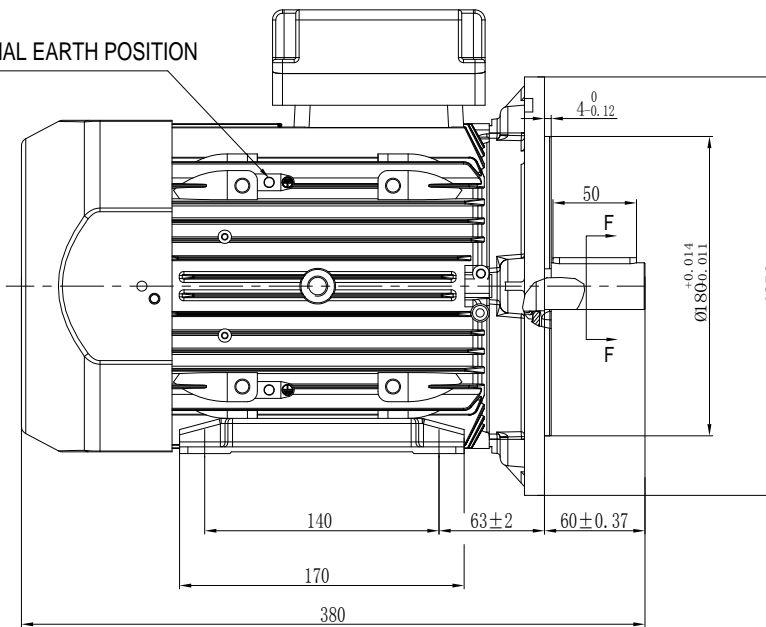
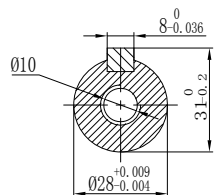


EXTERNAL EARTH POSITION



F-F



STANDARD TERMINAL BOX POSITION IS 12 O'CLOCK AS SHOWN.
 CONDUIT ENTRIES:- TERMINAL BOX CAN BE ROTATED AT 90 ° INTERVALS

**BROOK
 CROMPTON**

WP-DA100 B35

A

B

1:3