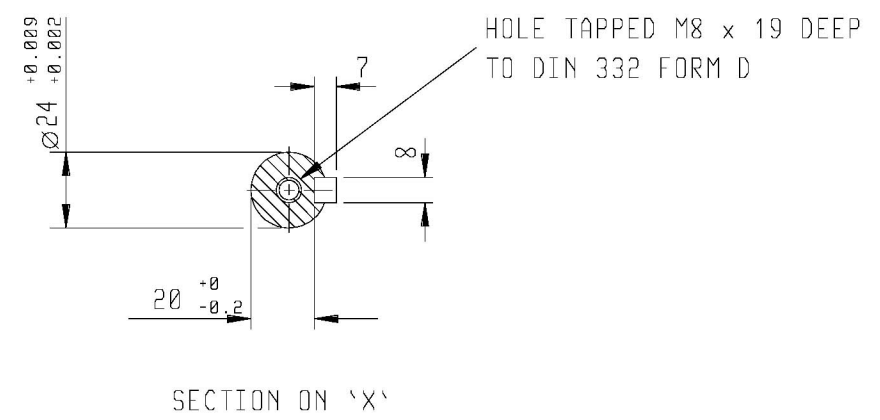
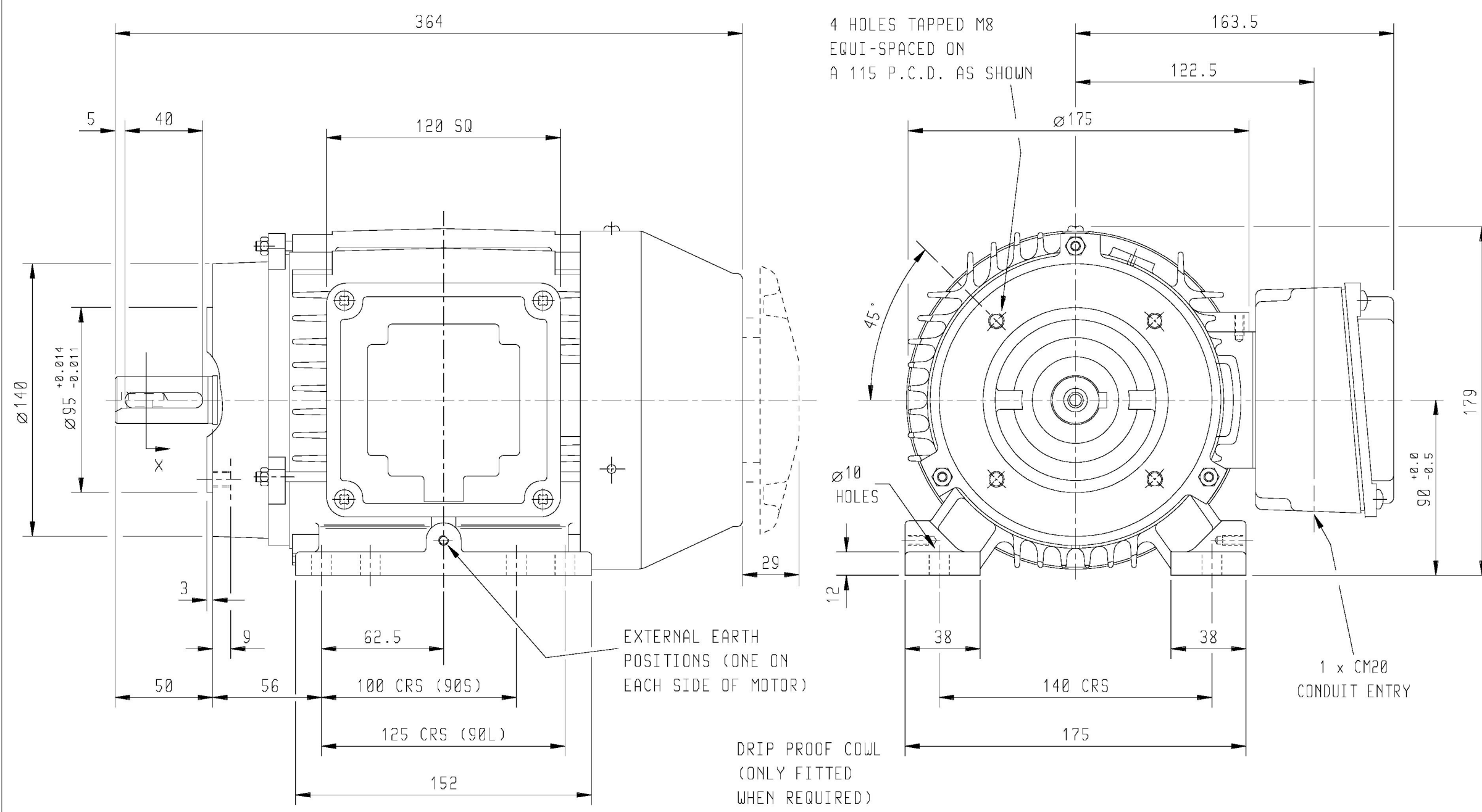


DRG. No.
 DRG. REF.

CUSTOMER		
ORDER No.		
PART No.		
OUR ORDER No.		
FRAME SIZE		
KW.	RPM.	
Hz	PHASE	
VOLTS	POLES	
BRGS.	DE.	NDE.
MOTOR NETT WT.		Kg.
SPECIAL REMARKS		



STANDARD TERMINAL BOX POSITION IS 3 O'CLOCK AS SHOWN.
 CONDUIT ENTRIES:- TERMINAL BOX CAN BE ROTATED AT 90° INTERVALS
 (CONDUIT ENTRY POSITION SHOWN FOR ILLUSTRATION ONLY)

ALL DIMENSIONS IN MILLIMETRES.



BROOK CROMPTON

SHEET SIZE A3	TITLE	NAME	DATE
	OUTLINE DIMENSION DRAWING NEW DESIGN CAST-IRON TOTALLY ENCLOSED FAN COOLED 90S/L FRAME 'C'-FACE WITH FEET MOUNTED MOTOR	DRAWN	
		CHECKED	
		SCALE	1:2.5

DRG. No.
DRG. REF.
REVISION:
DATE