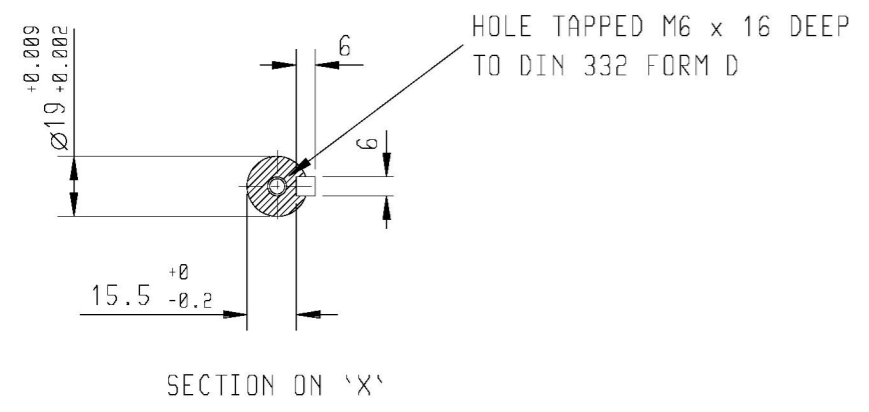
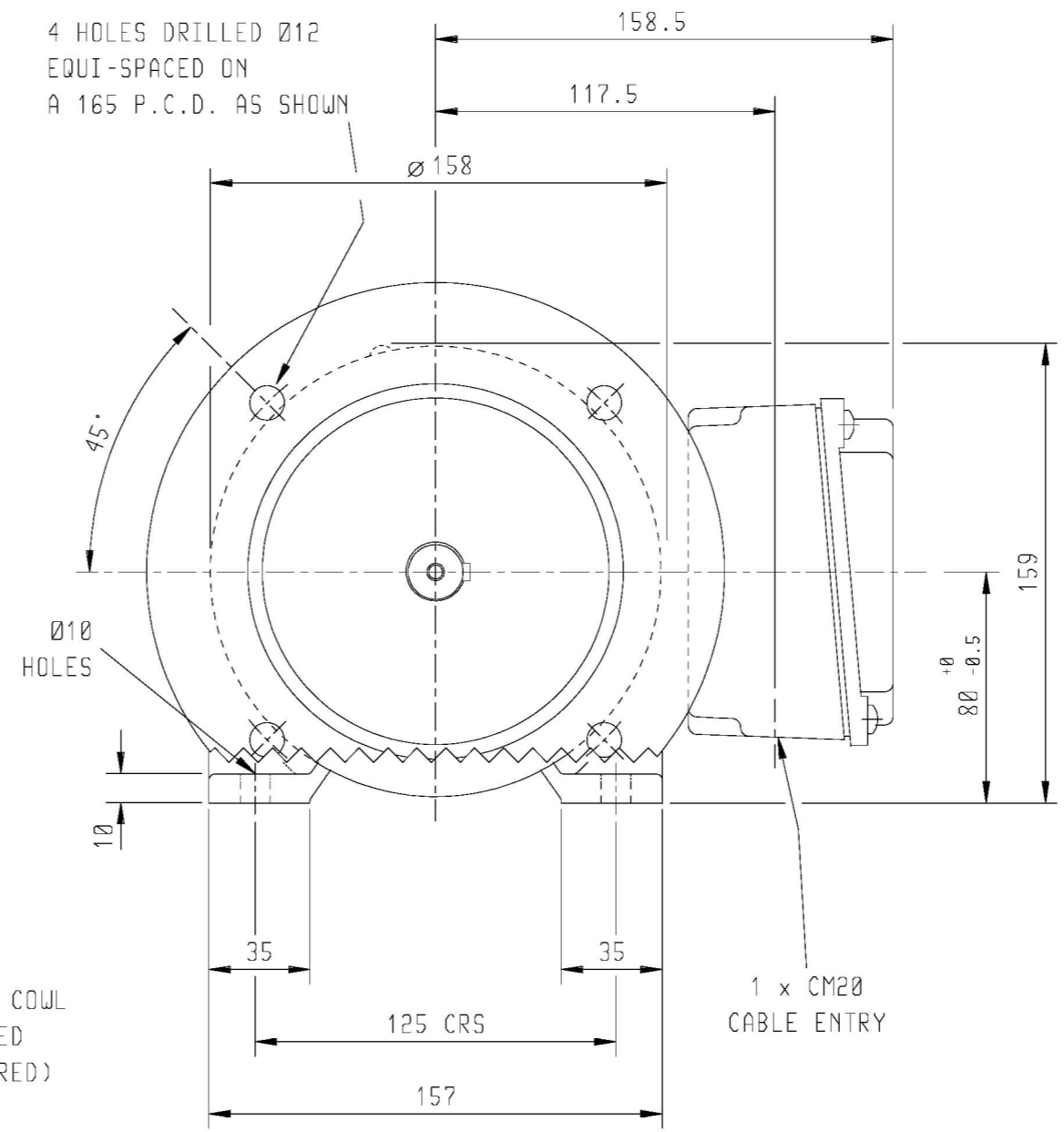
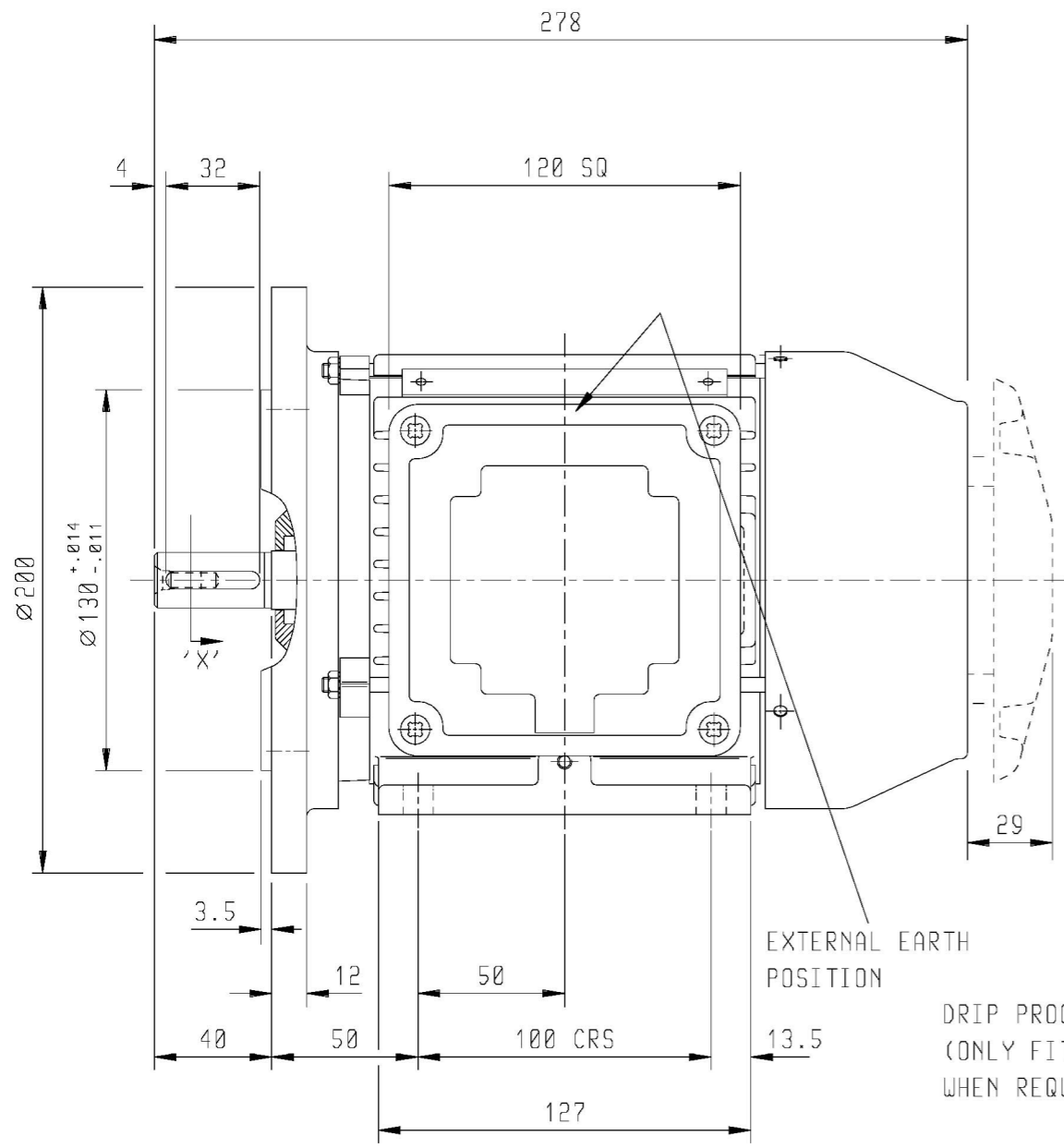


DRG. No.  
 DRG. REF.



CUSTOMER		
ORDER No.		
PART No.		
OUR ORDER No.		
FRAME SIZE		
KW.	RPM.	
Hz	PHASE	
VOLTS	POLES	
BRGS.	DE.	NDE.
MOTOR NETT WT.		Kg.
SPECIAL REMARKS		

ALL DIMENSIONS IN MILLIMETRES.  
 FIRST ANGLE PROJECTION

**BROOK CROMPTON**

STANDARD TERMINAL BOX POSITION IS 3 O'CLOCK AS SHOWN  
 CONDUIT ENTRIES:- TERMINAL BOX CAN BE ROTATED AT 90° INTERVALS  
 (CONDUIT ENTRY POSITION SHOWN FOR ILLUSTRATION ONLY)

SHEET SIZE <b>A3</b>	TITLE OUTLINE DIMENSION DRAWING NEW DESIGN CAST IRON TOTALLY ENCLOSED FAN COOLED 80 FRAME FOOT & D FLANGE MOUNTED MOTOR.	NAME	DATE	DRG. No.
		DRAWN		DRG. REF.
		CHECKED		REVISION:
SCALE	1 : 2.5	DATE		