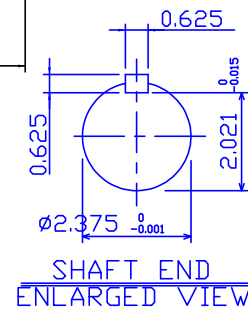
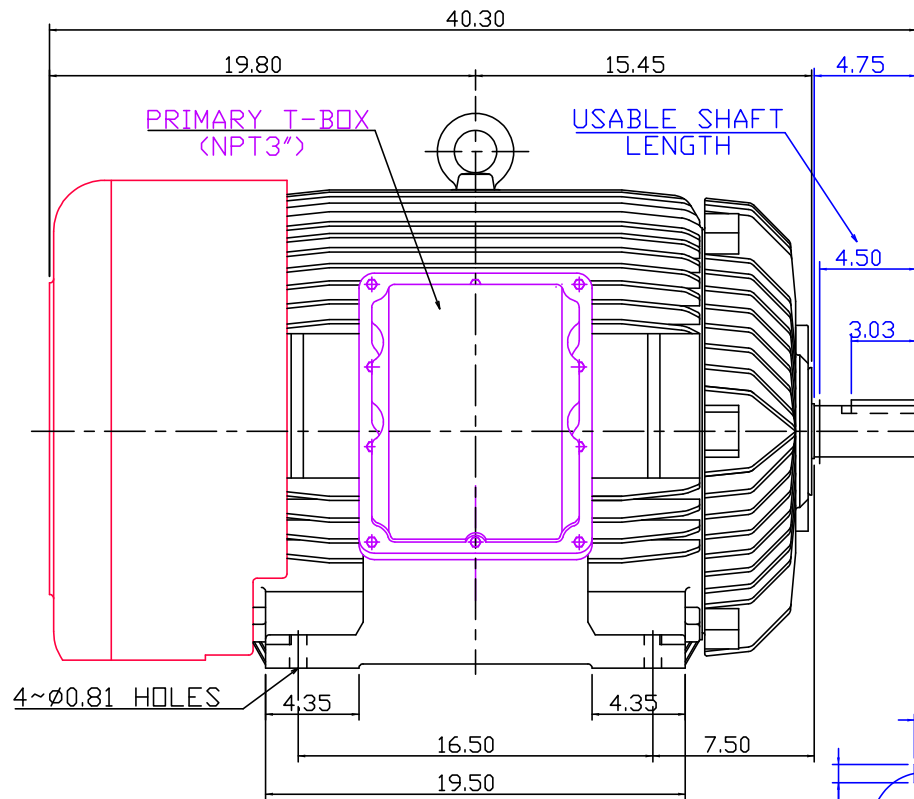
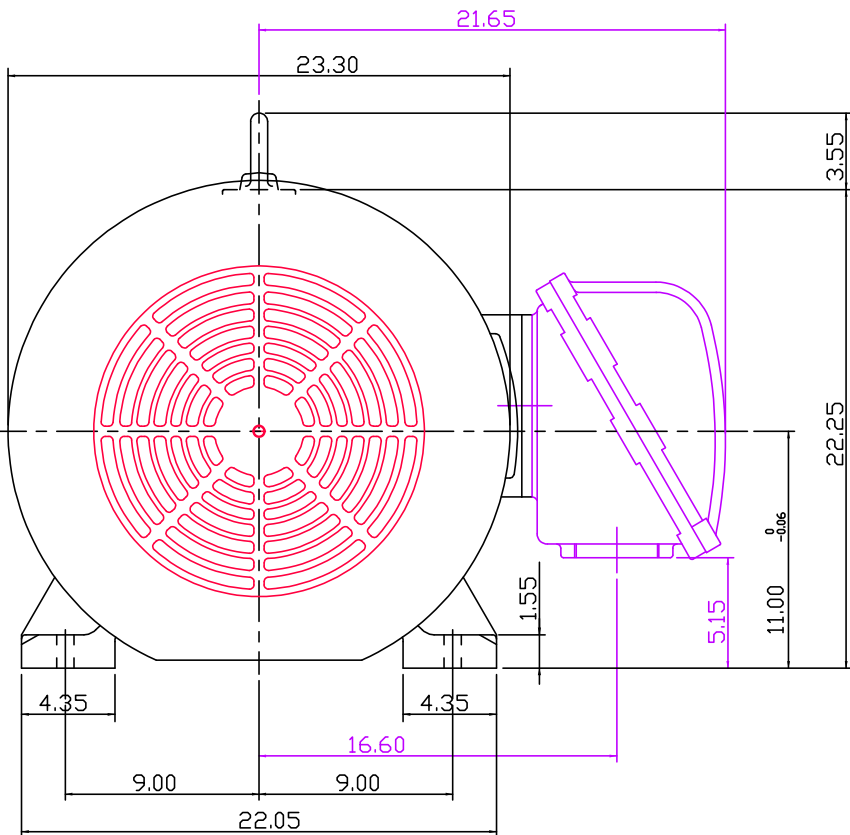


TOTALLY ENCLOSED FAN-COOLED TYPE. SUIRREL-CAGE ROTOR



NOTE:

1. DIMENSIONS IN INCHES
2. FRAME NO. 445TS
3. F CLASS INSULATION
4. FOR DIRECT FLEXIBLE COUPLING
5. ENCLOSURE: IP44
6. BEARING NO.: DRIVE END 6313C3
OPP. DRIVE END 6313C3
7. UL EXPLOSION PROOF
8. NON-SPARKING FAN

TX-56C

DATE	OUTLINE DIMENSIONS	
	3-PHASE INDUCTION MOTOR	
BROOK CROMPTON	DWG NO.	REV: 00