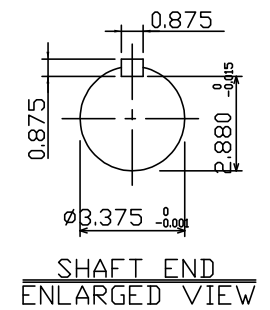
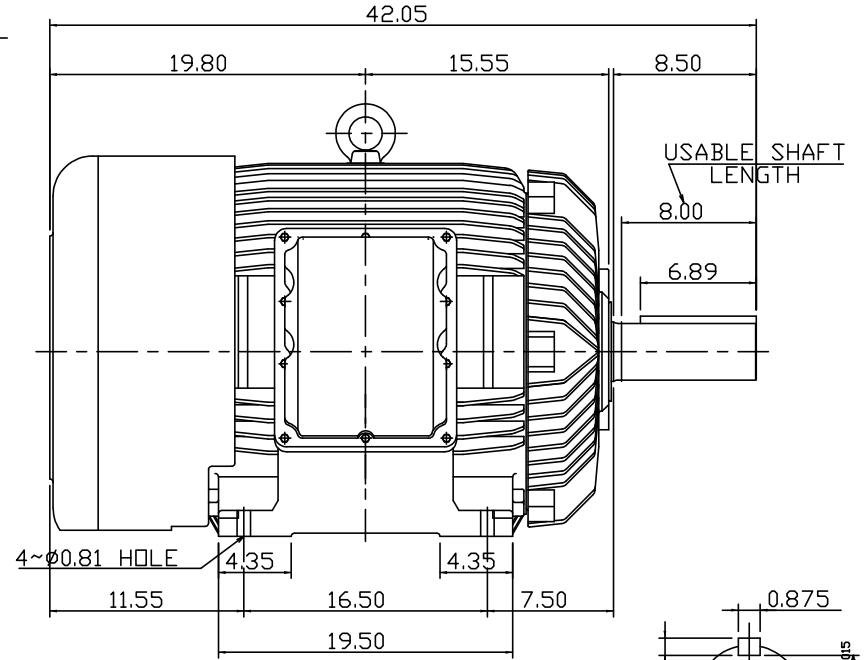
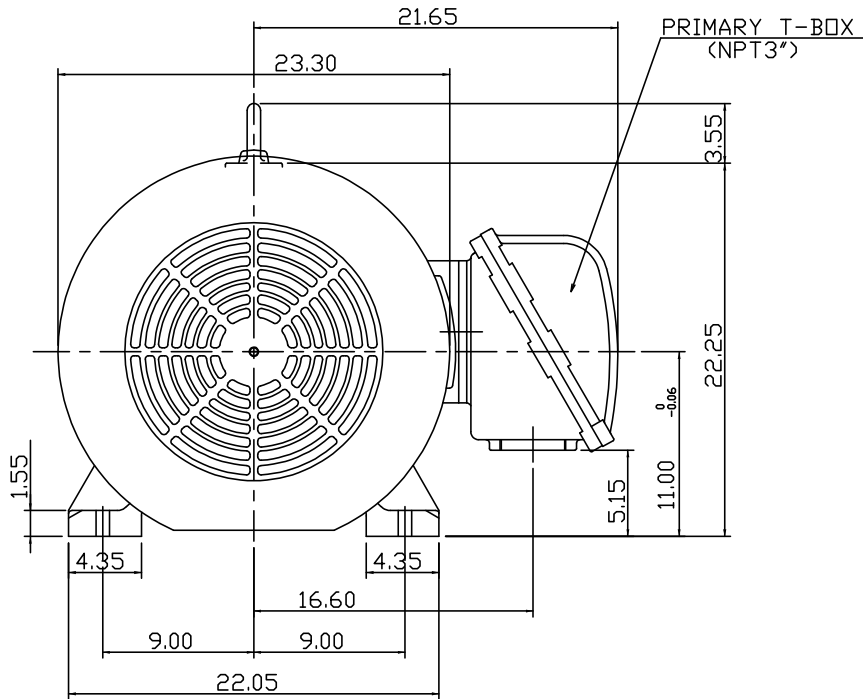


TOTALLY ENCLOSED FAN-COOLED TYPE, SQUIRREL-CAGE ROTOR



- NOTE:
1. DIMENSIONS IN INCHES
 2. FRAME NO. 445T
 3. F CLASS INSULATION, S.F. 1.15
 4. FOR DIRECT FLEXIBLE COUPLING
 5. ENCLOSURE: IP44
 6. BEARING NO.: DRIVE END 6318
OPP. DRIVE END 6318
 7. UL EXPLOSION PROOF
 8. NON-SPARKING FAN

DATE	OUTLING DIMENSIONS 3-PHASE INDUCTION MOTOR
BROOK CROMPTON	
DWG NO.	REV: 00

TX-56C