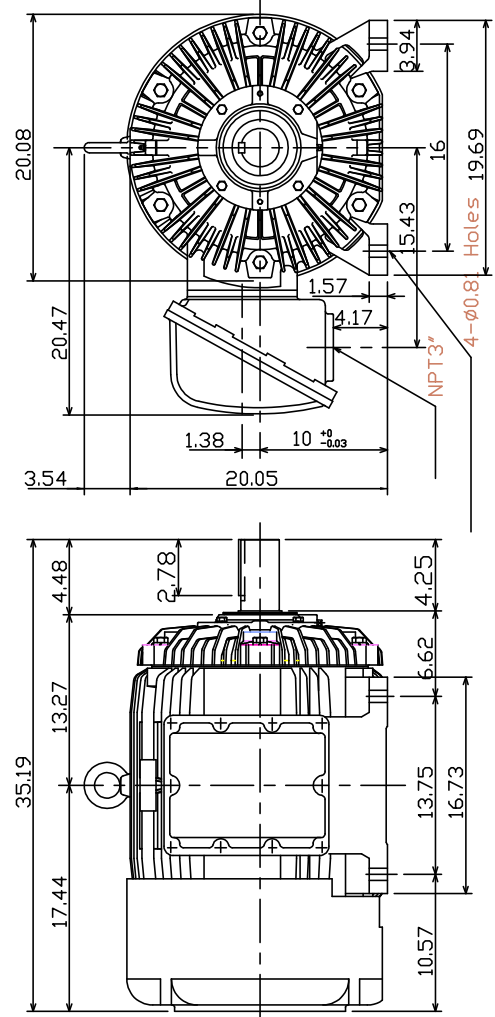


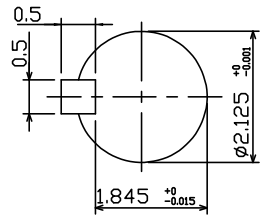
OUTLINE DIMENSIONS
3-PHASE INDUCTION MOTOR

MOTOR TYPE:
AEHHXU
FRAME NO. 405TS

Totally Enclosed Fan-Cooled Type.Squirrel-cage Rotor.



Note:
1. Explosion-proof:
Class I Group D and
Class II Group E,F,G.



**BROOK
CROMPTON**

DWG NO.