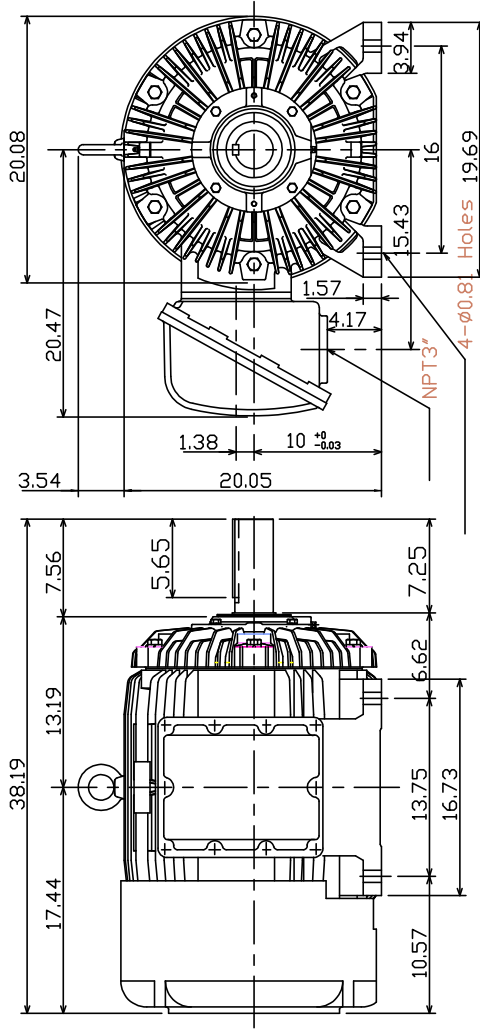


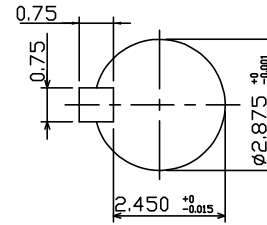
OUTLINE DIMENSIONS  
3-PHASE INDUCTION MOTOR

MOTOR TYPE:  
PX  
FRAME NO. 405T

Totally Enclosed Fan-Cooled Type Squirrel-cage Rotor.



Note:  
1. Explosion-proof:  
Class I Group D and  
Class II Group E,F,G.



**BROOK  
CROMPTON**

DWG NO.