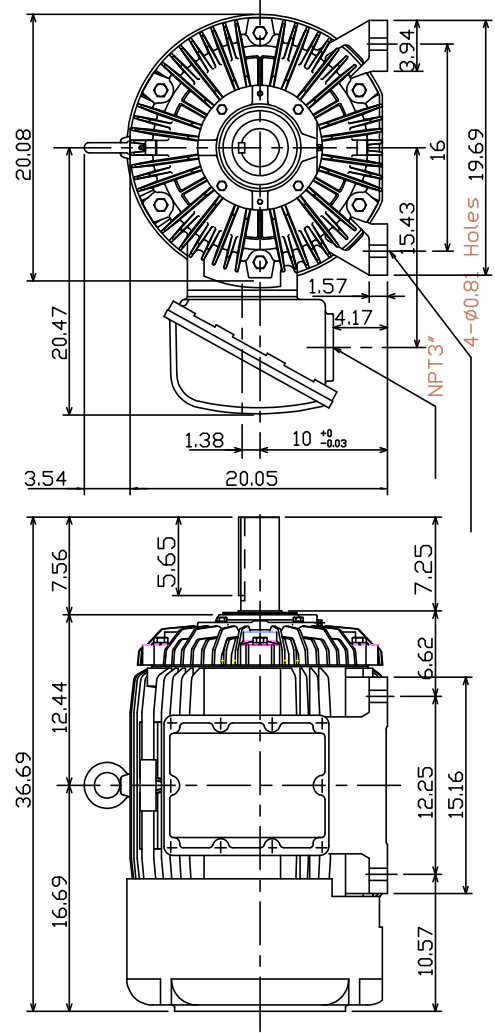


OUTLINE DIMENSIONS
3-PHASE INDUCTION MOTOR

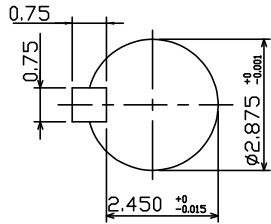
MOTOR TYPE:

FRAME NO. 404T

Totally Enclosed Fan-Cooled Type Squirrel-cage Rotor.



Note:
1. Explosion-proof:
Class I Group D and
Class II Group E.F.G.



**BROOK
CROMPTON**

DWG NO.