

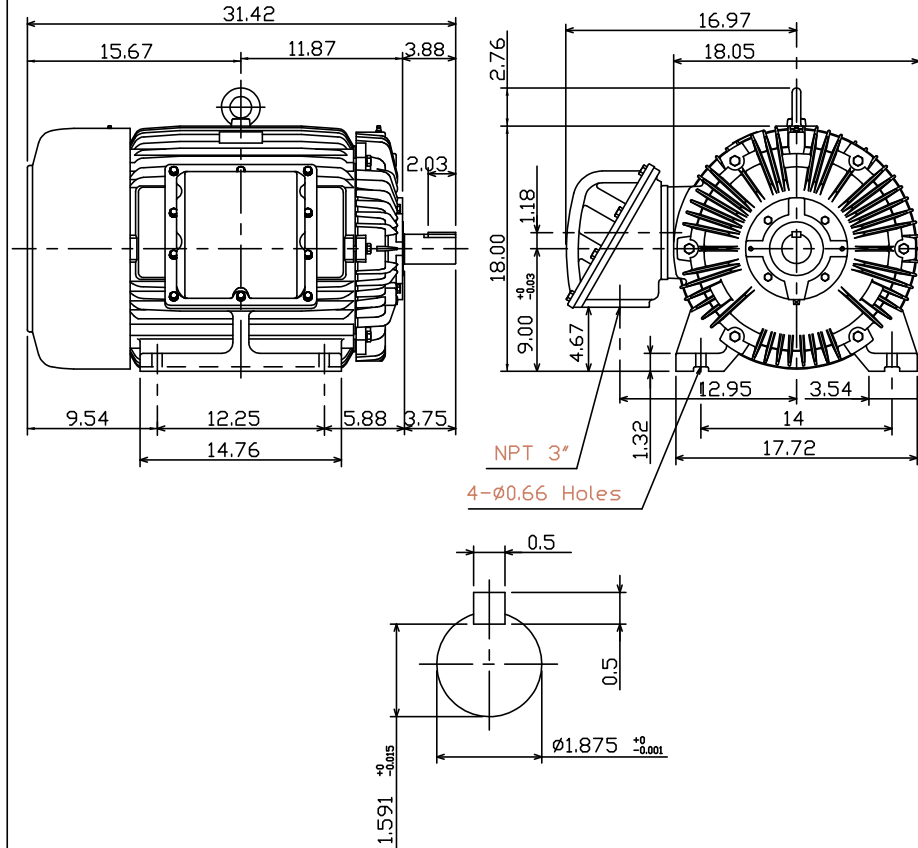
OUTLINE DIMENSIONS

MOTOR TYPE:

3-PHASE INDUCTION MOTOR

FRAME NO. 365TS

Totally Enclosed Fan-Cooled Type.Squirrel-cage Rotor.



Note:
 1. Explosion-proof:
 Class I Group D and
 Class II Group E,F,G.

**BROOK
 CROMPTON**

DWG NO.