

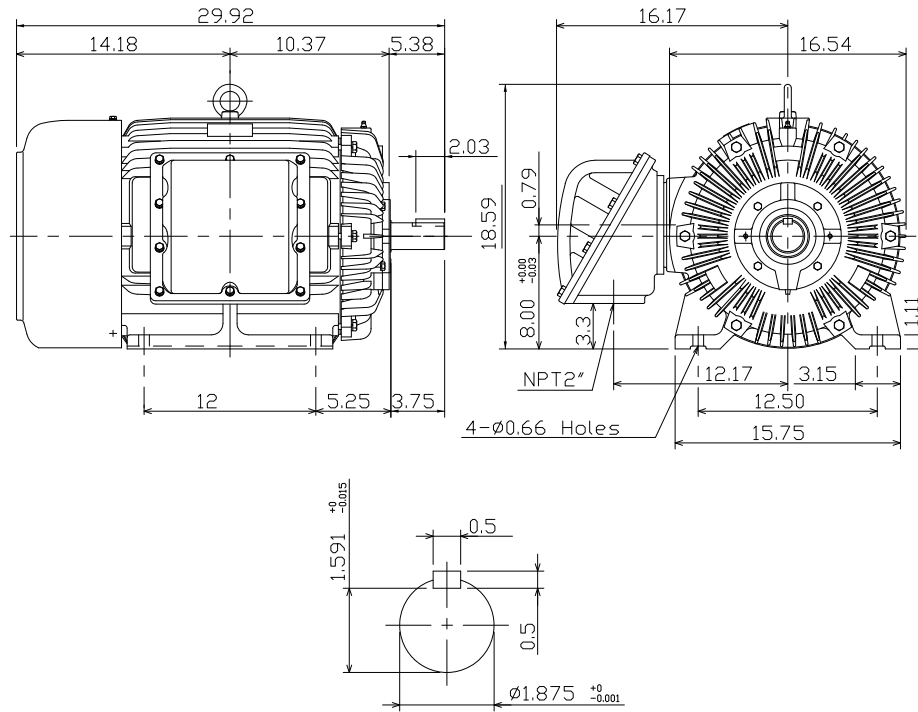
OUTLINE DIMENSIONS

MOTOR TYPE:

3-PHASE INDUCTION MOTOR

FRAME NO. 326TS

Totally Enclosed Fan-Cooled Type. Squirrel-Cage Rotor.



Note:

1. Explosion-proof:  
Class I Group D and  
Class II Group E,F,G.
2. IP55

**BROOK  
CROMPTON**

DWG NO.