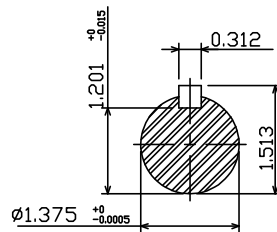
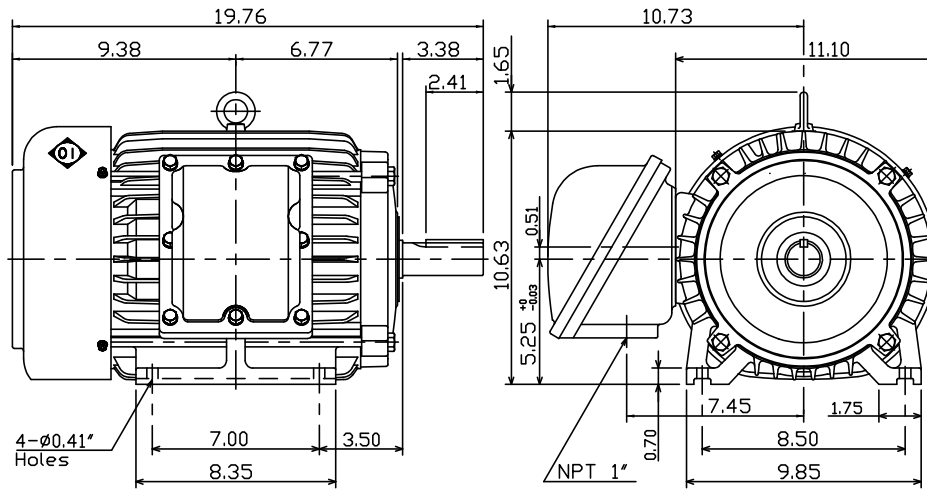


OUTLINE DIMENSIONS  
3-PHASE INDUCTION MOTOR

MOTOR TYPE:

FRAME NO. 215T

Totally Enclosed Fan-Cooled Type Squirrel-Cage Rotor.



Note:  
1. Explosion proof:  
Class I Group C,D and  
Class II Group E,F,G.

**BROOK  
CROMPTON**

DWG NO.