

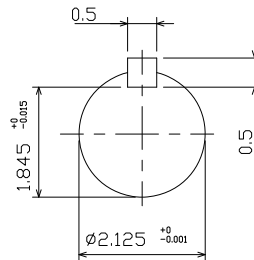
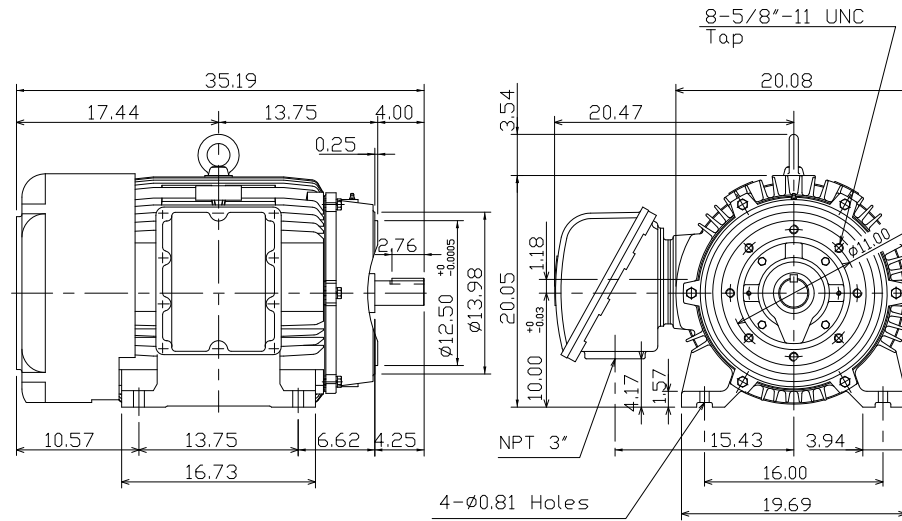
OUTLINE DIMENSIONS

MOTOR TYPE:

3-PHASE INDUCTION MOTOR

FRAME NO. 405TSC

Totally Enclosed Fan Cooled Type. Squirrel-cage Rotor.



Note:

1. Explosion proof:  
Class I Group D and  
Class II Group E,F,G.

**BROOK  
CROMPTON**

DWG NO.