

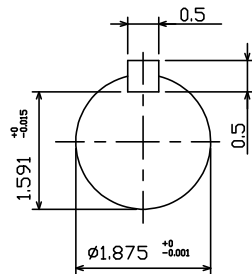
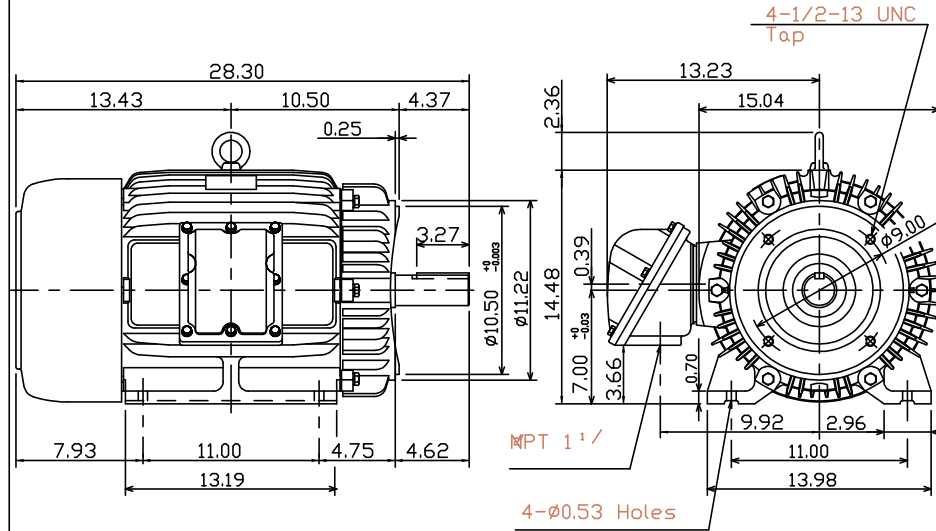
OUTLINE DIMENSIONS

MOTOR TYPE:

3-PHASE INDUCTION MOTOR

FRAME NO. 286TC

Totally Enclosed Fan Cooled Type, Squirrel-cage Rotor.



Note:
 1. Explosion proof:
 Class I Group D and
 Class II Group E.F.G.

**BROOK
CROMPTON**

DWG NO.