

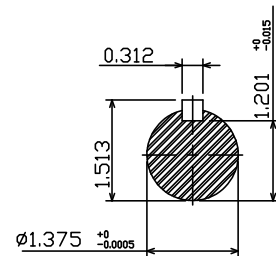
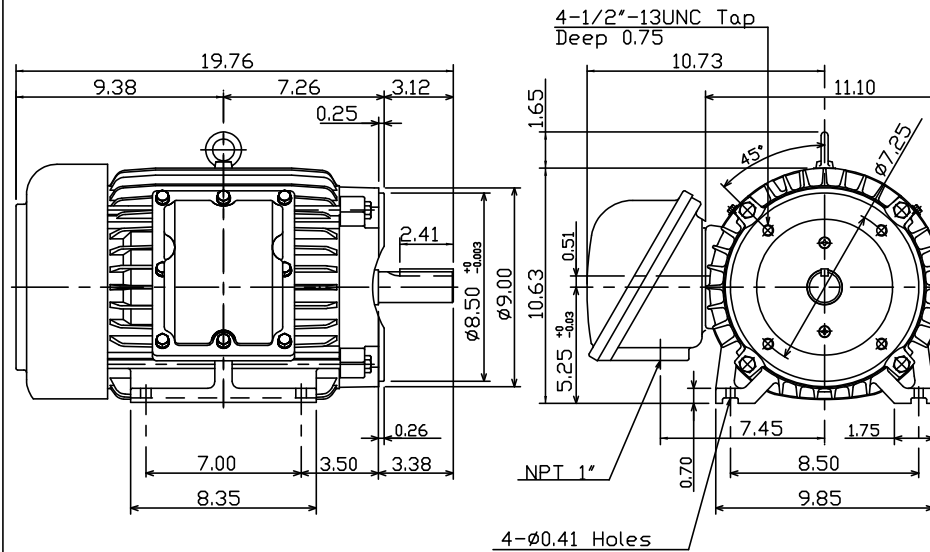
OUTLINE DIMENSIONS

MOTOR TYPE:

3-PHASE INDUCTION MOTOR

FRAME NO. 215TC

Totally Enclosed Fan-Cooled Type, Squirrel-Cage Rotor.



Note:

1. Explosion proof:  
Class I Group C,D and  
Class II Groups E,F,G.

**BROOK  
CROMPTON**

DWG NO.