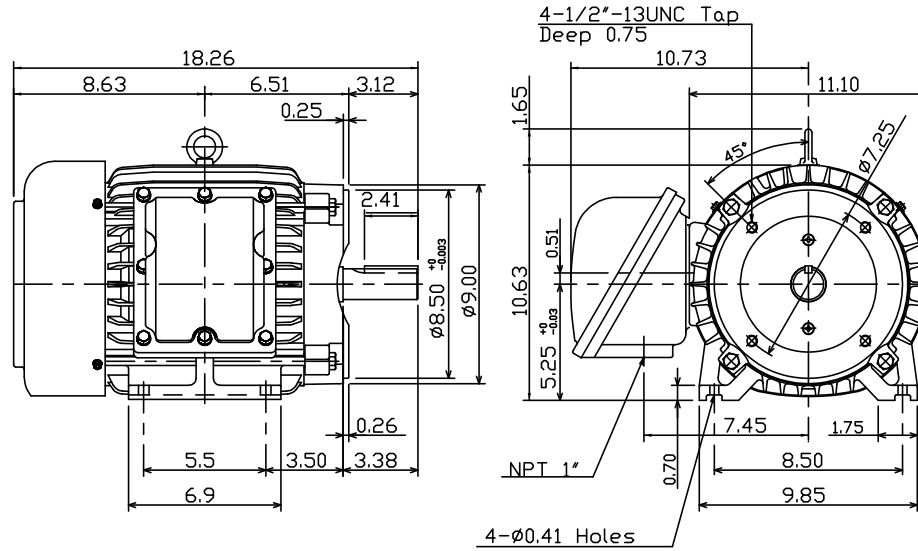


OUTLINE DIMENSIONS
3-PHASE INDUCTION MOTOR

MOTOR TYPE:

FRAME NO. 213TC

Totally Enclosed Fan-Cooled Type, Squirrel-Cage Rotor.



Note:
1. Explosion proof:
Class I Group C,D and
Class II Groups E,F,G.

**BROOK
CROMPTON**

DWG NO.