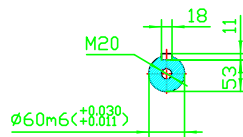
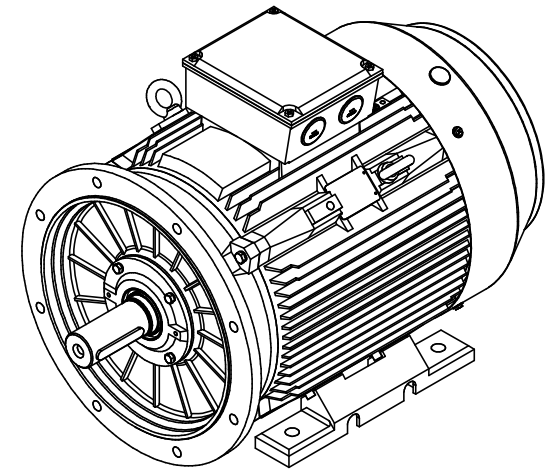
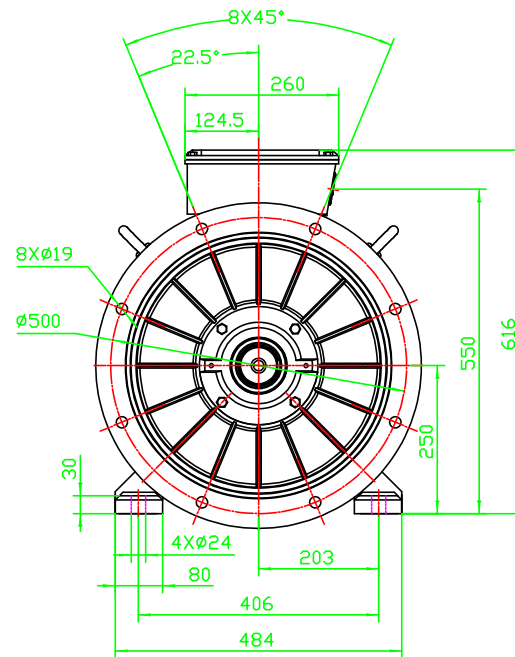


2XM50X1.5



BROOK CROMPTON		TC 250M-2 B35		
		NO:	1HMY.010.T081B	
Design		Standard		STEP MARK
Checker		Allow		1:6
Auditing		Date		SURT Cast iron Motor