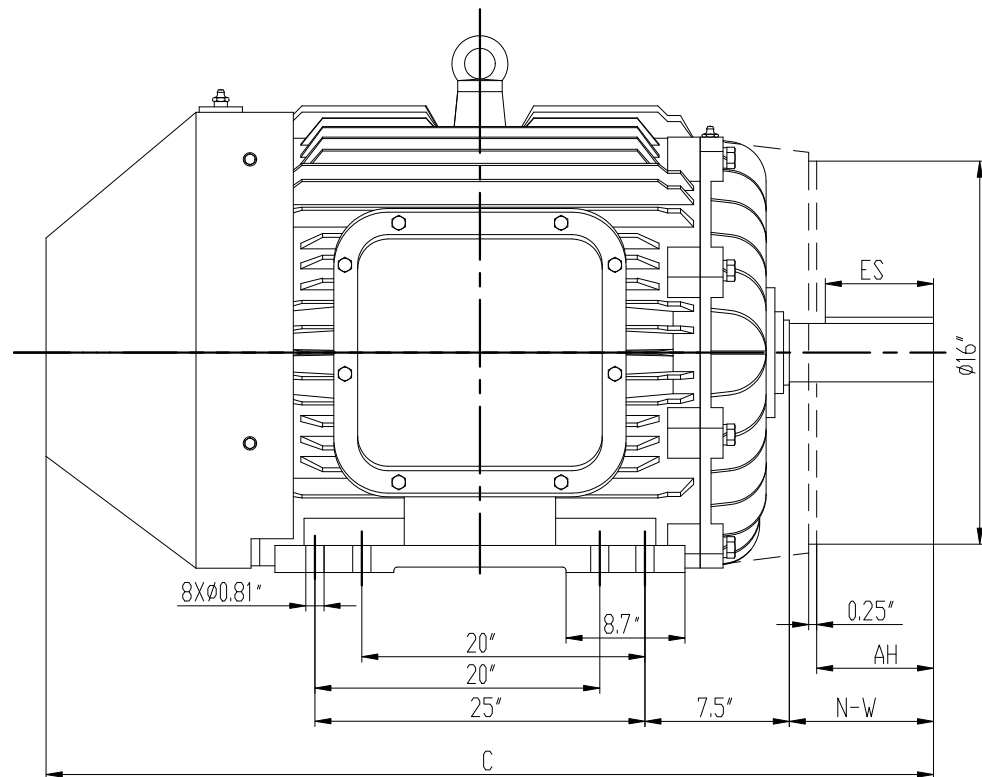
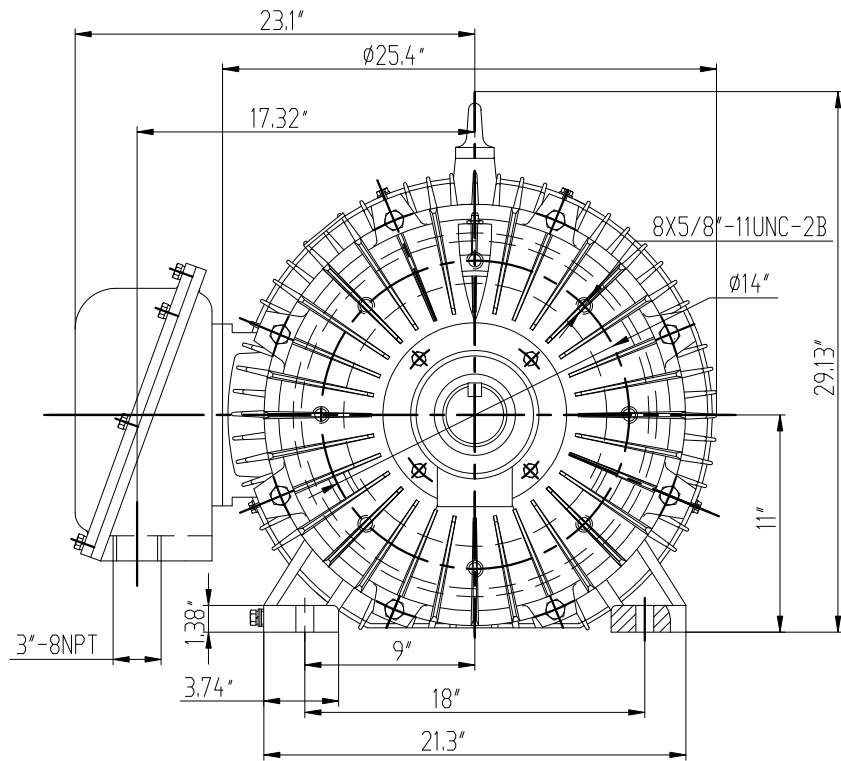
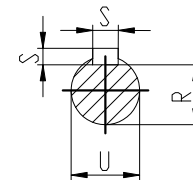


1AP.050.0560.1-10WXY



MODEL	U	R	S	N-W	C	C	ES	AH
NSHE447TS/TSC-2 200HP	ϕ2.375"	2.021"	0.625"	4.75"	51"	50.79"	3.03"	4.5"
NSHE449TS/TSC-2 250HP						51.97"		
NSHE447TS/TSC-4 200HP						51.97"		
NSHE449TS/TSC-4 250HP	ϕ3.375"	2.88"	0.875"	8.5"	54.92"	55.71"	6.93"	8.25"
NSHE447T/TC -4 200HP								
NSHE449T/TC -4 250HP								
NSHE447T/TC-6 150HP								
NSHE449T/TC -6 200HP								
NSHE447T/TC-8 125HP	ϕ3.375"	2.88"	0.875"	8.5"	54.92"	55.71"	6.93"	8.25"
NSHE449T/TC -8 150HP								



				NSHE447/9 MOTOR		1AP.050.0560.1-10WXY	
LET. REVISION				BY		DATE	
DESIGN				REN XIADHUA		WEIGHT	
REVIEW				XIE XIADLONG		SCALE	
APPROVE				YU JIABIN		1:1	
DATE				20170522		F-1	
						BROOK CROMPTON Keeping Industry Turning	