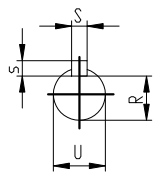
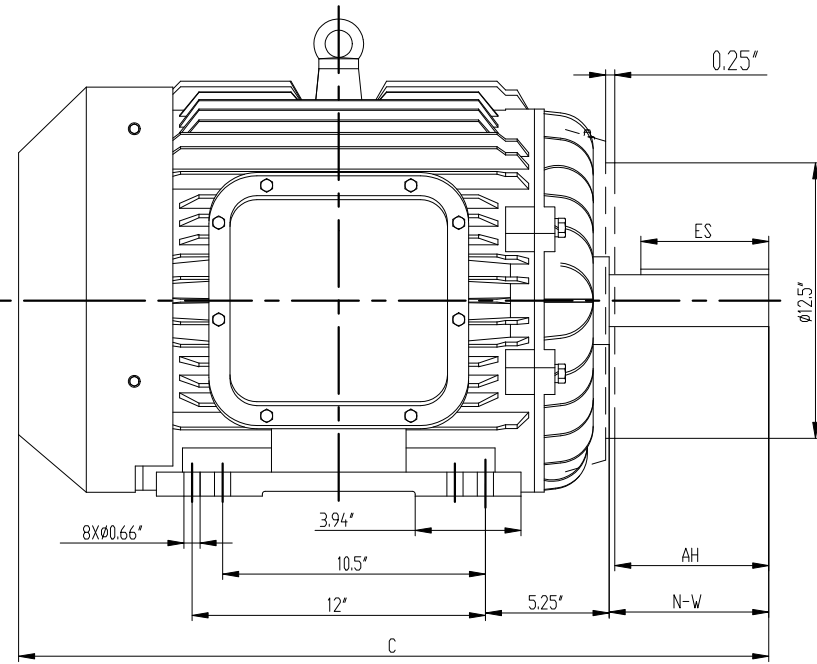
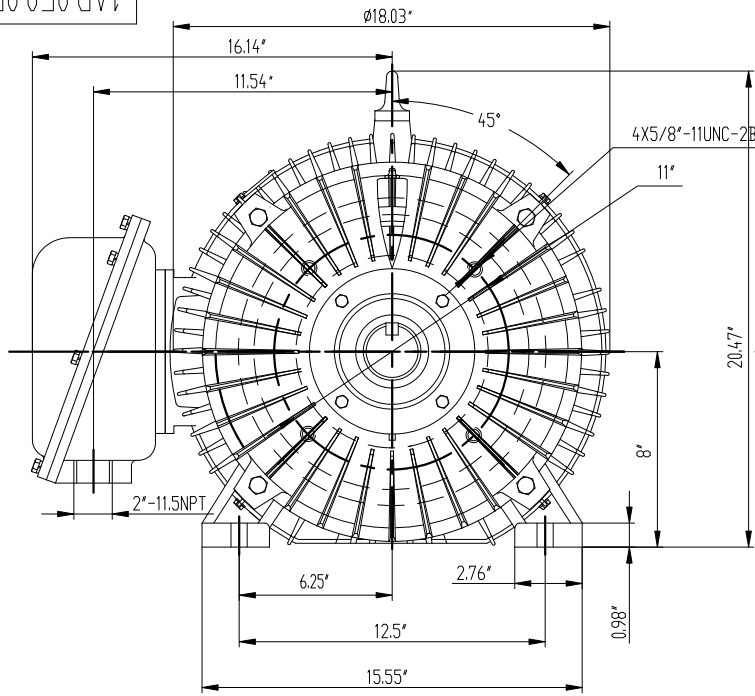


1AP.050.0556.1-12WXY



MODEL	ES	U	R	N-W	S	C	AH
NSHE324TS/TSC-2 40HP	2.05"	1.875"	1.591"	3.75"	0.5"	30.3"	3.5"
NSHE326TS/TSC-2 50HP	2.05"	1.875"	1.591"	3.75"	0.5"	30.3"	3.5"
NSHE324T/TC-2 40HP	3.93"	2.125"	1.845"	5.25"	0.5"	31.9"	5"
NSHE326T/TC-2 50HP	3.93"	2.125"	1.845"	5.25"	0.5"	31.9"	5"
NSHE324TS/TSC-4 40HP	2.05"	1.875"	1.591"	3.75"	0.5"	30.3"	3.5"
NSHE326TS/TSC-4 50HP	2.05"	1.875"	1.591"	3.75"	0.5"	30.3"	3.5"
NSHE324T/TC-4 40HP	3.93"	2.125"	1.845"	5.25"	0.5"	31.9"	5"
NSHE326T/TC-4 50HP	3.93"	2.125"	1.845"	5.25"	0.5"	31.9"	5"
NSHE324T/TC-6 25HP	3.93"	2.125"	1.845"	5.25"	0.5"	31.9"	5"
NSHE326T/TC-6 30HP	3.93"	2.125"	1.845"	5.25"	0.5"	31.9"	5"
NSHE324T/TC-8 20HP	3.93"	2.125"	1.845"	5.25"	0.5"	31.9"	5"
NSH326T/TC-8 25HP	3.93"	2.125"	1.845"	5.25"	0.5"	31.9"	5"

LET.	REVISION	BY	DATE
	DESIGN	REN XIADHUA	
	REVIEW	XIE XIADLONG	
	APPROVE	YU JIABIN	
	DATE	20170522	

NSHE320 MOTOR

F-1

1AP.050.0556.1-12WXY

WEIGHT	SCALE
	1:1

