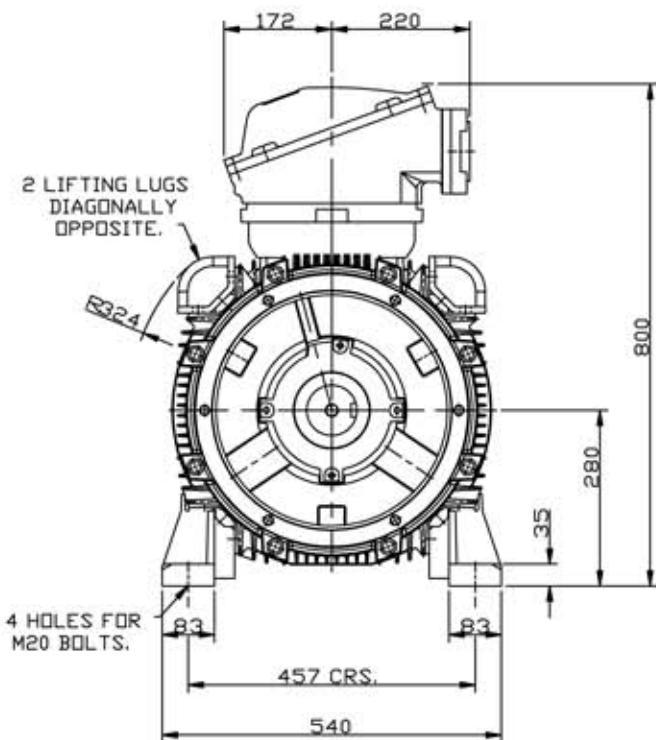


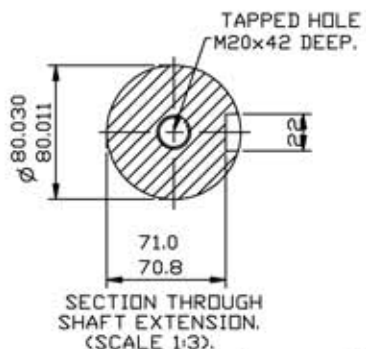
CABLE ENTRY
MAINS SCREWED M50
AUX. TAPPED M20

M10 EXTERNAL
EARTH POSITION.



2 LIFTING LUGS
DIAGONALLY
OPPOSITE.

4 HOLES FOR
M20 BOLTS.



SECTION THROUGH
SHAFT EXTENSION.
(SCALE 1/3).

NOTE!
TERMINAL BOX CAN BE MOUNTED (LEFT
OR RIGHT) BY REFITTING FEET AND
LIFTING LUGS 90° IN APPROPRIATE
DIRECTIONS. CABLE ENTRY CAN BE
SUPPLIED IN ANY ONE OF FOUR
POSITIONS AT 90° INTERVALS.

CUSTOMER		
ORDER No.		
SERIAL No.		
FRAME SIZE		
KW	R.P.M.	
Hz	PHASE 3	
VOLTS	POLES	
BRGS.	D.F.	N.D.F.
MOTOR NETT. WT.	Kg.	
INSULATION CLASS		
TEMPERATURE RISE °C		
DESIGN AMBIENT TEMPERATURE °C		
HEATER WATTS & VOLTS (IF FITTED)		
- WATTS, - VOLTS		

REMARKS
EEx de IIB
BASEEFA CERTIFICATE
No. Ex99E1042X
or
EEx de IIC
BASEEFA CERTIFICATE
No. Ex99E1043X.

ALL DIMENSIONS IN MILLIMETRES

FIRST ANGLE
PROJECTION

NOTE!
2.5 ENDPLAY WILL BE PROVIDED FOR ENDTHRUST
PROTECTION WHEN CUSTOMERS NOTIFY US OF THEIR
INTENTION TO USE RIGID COUPLINGS AND DRIVEN
MACHINES WITHOUT ENDPLAY.

OUTLINE DIMENSIONS OF STANDARD FOOT MOUNTED METRIC A.C
MOTOR TO BS4999 PART 141. EEx de TO EN50014/18/19.
TOTALLY ENCLOSED FAN VENTILATED.
FRAME SIZE: W-EF280S (4 POLE UP).

SCALE	1/8	DATE
DRAWN	M.E	23.8.99
CHECKED	J.M.L	23.8.99
APPROVED	J.M.L	23.8.99

DRG. No. M70129

REVISION: A L.M. DATE 21.12.99