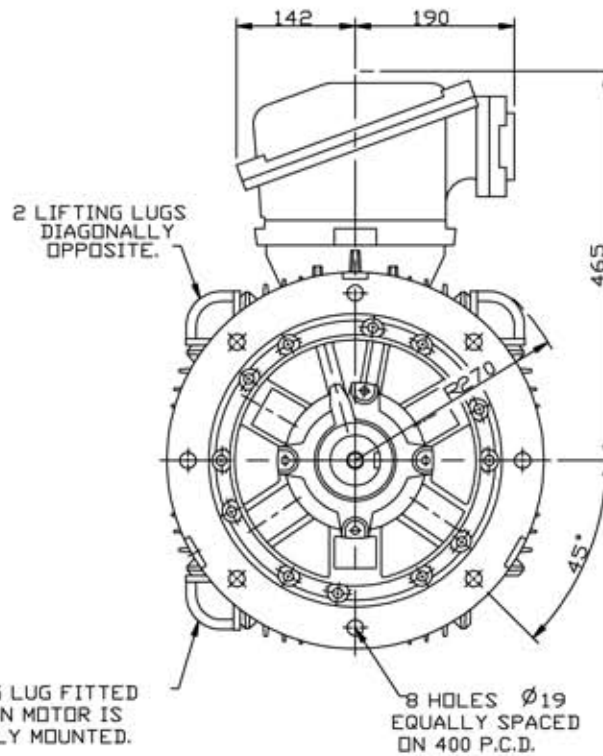
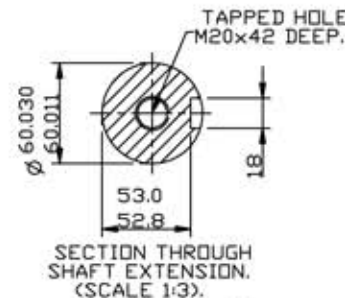


NOTE:-  
CABLE ENTRY CAN BE  
SUPPLIED IN ANY ONE OF FOUR  
POSITIONS AT 90 ° INTERVALS.

NOTE!  
STANDARD MACHINES ARE ARRANGED FOR HORIZONTAL OVERHUNG MOUNTING.  
CUSTOMERS SHOULD NOTIFY US WHEN ORDERING IF VERTICAL MOUNTING  
IS REQUIRED. IF VERTICAL, THE MOTOR THRUST BEARING MUST  
NOT BE ALLOWED TO TAKE ANY LOAD OTHER THAN THE WEIGHT OF  
THE ROTOR WITHOUT OUR APPROVAL.



THIS LIFTING LUG FITTED  
ONLY WHEN MOTOR IS  
VERTICALLY MOUNTED.



SECTION THROUGH  
SHAFT EXTENSION.  
(SCALE 1:3).

|                                  |         |        |
|----------------------------------|---------|--------|
| CUSTOMER                         |         |        |
| ORDER No.                        |         |        |
| SERIAL No.                       |         |        |
| FRAME SIZE                       |         |        |
| Kw                               | R.P.M.  |        |
| Hz                               | PHASE 3 |        |
| VOLTS                            | POLES   |        |
| BRGS.                            | D.F.    | N.D.F. |
| MOTOR NETT. WT.                  | Kg.     |        |
| INSULATION CLASS                 |         |        |
| TEMPERATURE RISE °C              |         |        |
| DESIGN AMBIENT TEMPERATURE °C    |         |        |
| HEATER WATTS & VOLTS (IF FITTED) |         |        |
| - WATTS, - VOLTS                 |         |        |

REMARKS  
EEx de IIB  
BASEEFA CERTIFICATE  
No. Ex98E1118X  
or  
EEx de IIC  
BASEEFA CERTIFICATE  
No. Ex98E1119X.

ALL DIMENSIONS IN MILLIMETRES



FIRST ANGLE  
PROJECTION

NOTE!  
2.5 ENDPLAY WILL BE PROVIDED FOR ENDTHRUST  
PROTECTION WHEN CUSTOMERS NOTIFY US OF THEIR  
INTENTION TO USE RIGID COUPLINGS AND DRIVEN  
MACHINES WITHOUT ENDPLAY.

OUTLINE DIMENSIONS OF STANDARD FLANGE MOUNTED METRIC A.C  
MOTOR TO BS4999 PART 141. EEx de TO EN50014/18/19.  
TOTALLY ENCLOSED FAN VENTILATED.  
FRAME SIZE: W-EF225M-D (4 POLE UP).

|          |       |        |
|----------|-------|--------|
| SCALE    | 1/6   | DATE   |
| DRAWN    | M.E   | 8.9.98 |
| CHECKED  | M.B.C | 8.9.98 |
| APPROVED | M.B.C | 8.9.98 |

DRG. No. M70043

REVISION: DATE